

MODEL: PJ-040DH | **DESCRIPTION:** DC POWER JACK**FEATURES**

- 1.3 mm center pin
- 3.5 A rating
- right angle orientation
- through hole mount

**SPECIFICATIONS**

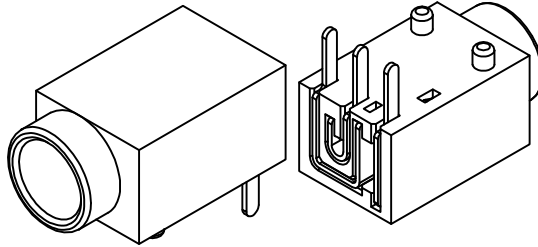
| parameter | conditions/description | min | typ | max | units |
|----------------------------|------------------------|-----|-------|-----|--------|
| rated input voltage | | | 24 | | Vdc |
| rated input current | | | | 3.5 | A |
| contact resistance | | | | 50 | mΩ |
| insulation resistance | at 500 Vdc | 100 | | | MΩ |
| voltage withstand | for 1 minute | | | 500 | Vac |
| insertion/withdrawal force | | 0.5 | | 3 | kg |
| operating temperature | | -25 | | 85 | °C |
| life | | | 5,000 | | cycles |
| flammability rating | UL94V-0 | | | | |
| RoHS | yes | | | | |

SOLDERABILITY

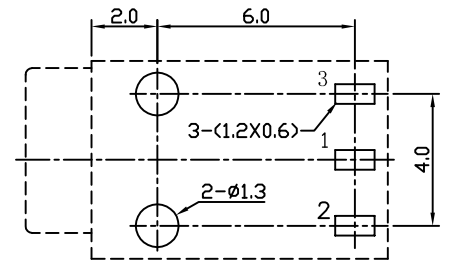
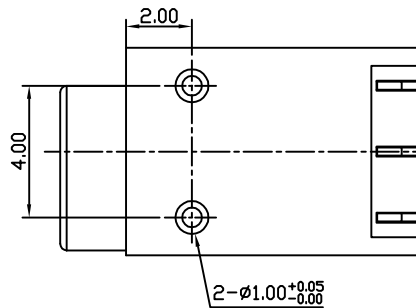
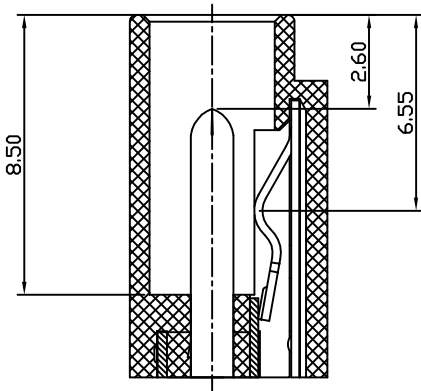
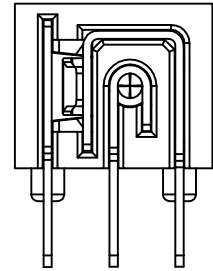
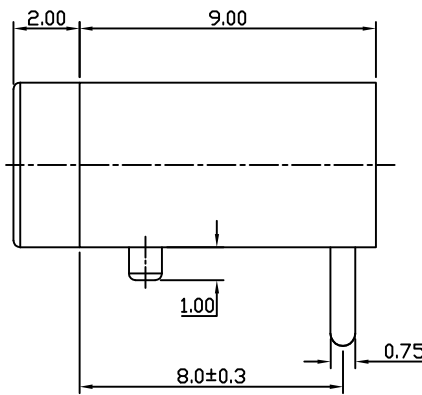
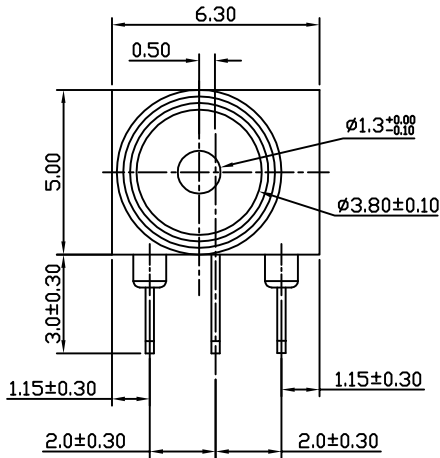
| parameter | conditions/description | min | typ | max | units |
|----------------|---|-----|-----|-----|-------|
| wave soldering | dipped in solder pot for 5 ±0.5 seconds | 255 | 260 | 265 | °C |

MECHANICAL DRAWING

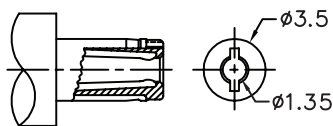
units: mm
 tolerance:
 X ±0.50 mm
 X.X ±0.30 mm
 X.XX ±0.20 mm
 X.XXX ±0.10 mm
 PCB: ±0.05 mm
 unless otherwise specified



| DESCRIPTION | MATERIAL | PLATING/COLOR |
|-------------|-----------------|---------------|
| center pin | brass | silver |
| terminal 1 | brass t=0.25 | silver |
| terminal 2 | SUS301 t=0.25 | silver |
| terminal 3 | brass t=0.25 | silver |
| housing | PA10T (UL94V-0) | black |



Recommended PCB Layout
Top View



MATING PLUG
Jack Insertion Depth: 8.5 mm

| | |
|------------|----------|
| SCHEMATIC | |
| Model | PJ-040DH |
| Center Pin | Ø1.3 mm |

REVISION HISTORY

| rev. | description | date |
|------|---|------------|
| 1.0 | initial release | 07/30/2007 |
| 1.01 | added pin dimension | 06/11/2008 |
| 1.02 | applied new spec template | 07/13/2015 |
| 1.03 | increased voltage rating | 05/03/2016 |
| 1.04 | brand update | 10/24/2019 |
| 1.05 | logo, datasheet style update | 08/05/2022 |
| 1.06 | product reengineered for improved manufacturability and production yield, see PCN for details | 12/15/2022 |
| 1.07 | product reengineered for improved manufacturability and production yield, see PCN for details | 05/21/2024 |
| 1.08 | added dimensions to drawings | 08/01/2024 |
| 1.09 | CUI Devices Rebranded to Same Sky | 09/12/2024 |

The revision history provided is for informational purposes only and is believed to be accurate.



Same Sky offers a one (1) year limited warranty. Complete warranty information is listed on our website.

Same Sky reserves the right to make changes to the product at any time without notice. Information provided by Same Sky is believed to be accurate and reliable. However, no responsibility is assumed by Same Sky for its use, nor for any infringements of patents or other rights of third parties which may result from its use.

Same Sky products are not authorized or warranted for use as critical components in equipment that requires an extremely high level of reliability. A critical component is any component of a life support device or system whose failure to perform can be reasonably expected to cause the failure of the life support device or system, or to affect its safety or effectiveness.

[sameskydevices.com](https://www.sameskydevices.com)