



MODEL: PJ-106AH-TR | **DESCRIPTION:** DC POWER JACK

FEATURES

- 2.0 mm center pin
- reflow solder
- tape & reel packaging

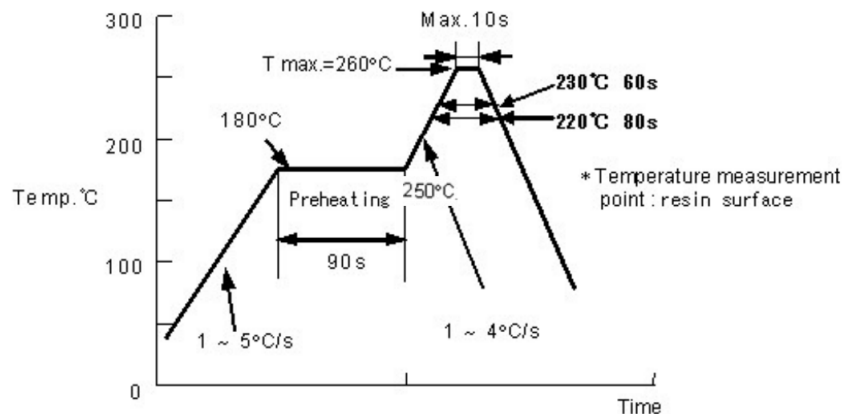


SPECIFICATIONS

| parameter | conditions/description | min | typ | max | units |
|----------------------------|------------------------|-----|-------|-----|--------|
| rated input voltage | | | 20 | | Vdc |
| rated input current | | | | 7 | A |
| contact resistance | | | | 30 | mΩ |
| insulation resistance | at 500 Vdc | 100 | | | MΩ |
| voltage withstand | for 1 minute | | | 500 | Vac |
| insertion/withdrawal force | | 0.3 | | 3 | kg |
| operating temperature | | -20 | | 70 | °C |
| storage temperature | | -40 | | 85 | °C |
| life | | | 5,000 | | cycles |
| flammability rating | UL94V-0 | | | | |
| RoHS | yes | | | | |

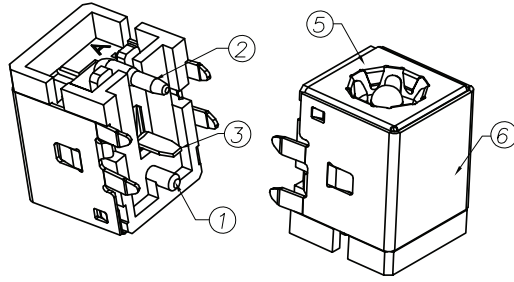
SOLDERABILITY

| parameter | conditions/description | min | typ | max | units |
|-------------------|---------------------------|-----|-----|-----|-------|
| reel storage | 5~35°C, <75% humidity | | | | °C |
| reflow soldering | see reflow profile | | | 260 | °C |
| drying conditions | bake at 120°C for 4 hours | | | | |

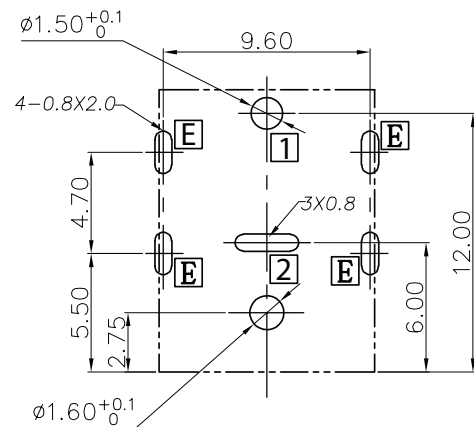
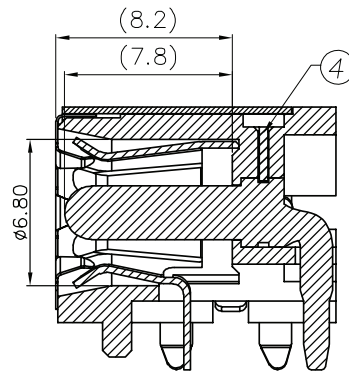
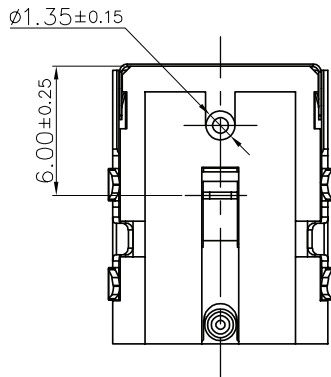
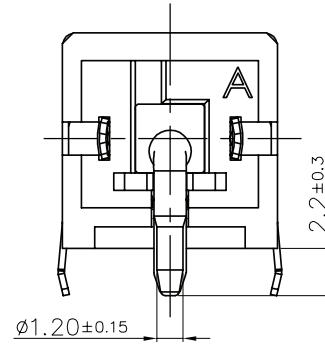
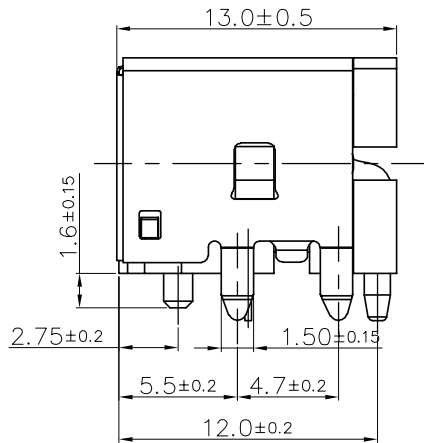
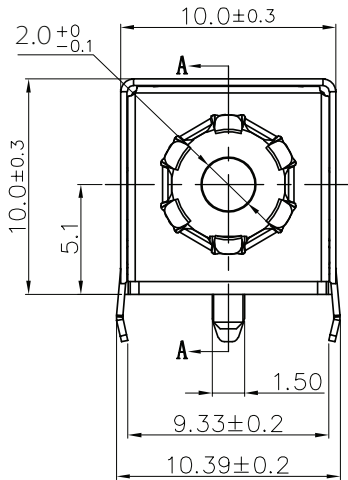


MECHANICAL DRAWING

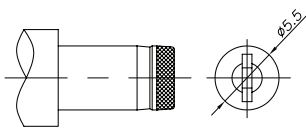
units: mm
 tolerance:
 X.X: ±0.50 mm
 X.XX: ±0.30 mm
 X.XXX: ±0.15 mm
 PCB: ±0.05 mm
 unless otherwise specified
 PCB thickness: 1.6 mm



| ITEM | DESCRIPTION | MATERIAL | PLATING/COLOR |
|------|-----------------|-----------------|---------------|
| 1 | housing | PA10T (UL94V-0) | black |
| 2 | terminal 1 | zinc alloy | nickel |
| 3 | terminal 2 | copper alloy | silver |
| 4 | terminal | copper alloy | --- |
| 5 | shield plate | stainless steel | --- |
| 6 | ground terminal | copper alloy | tin |



Recommended PCB Layout
Top View



MATING PLUG
Jack Insertion Depth: 8.2 mm

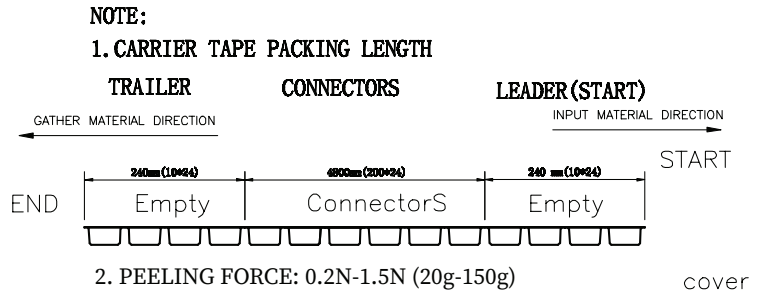
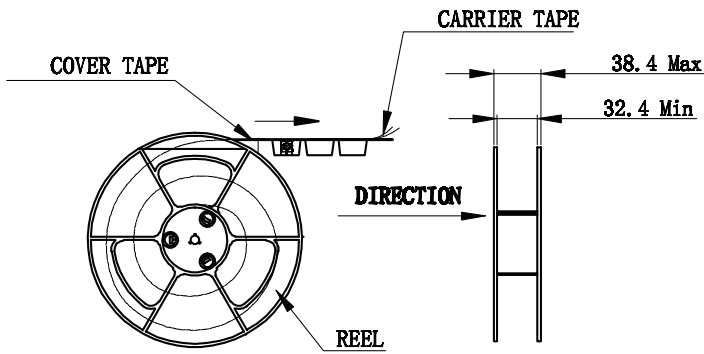
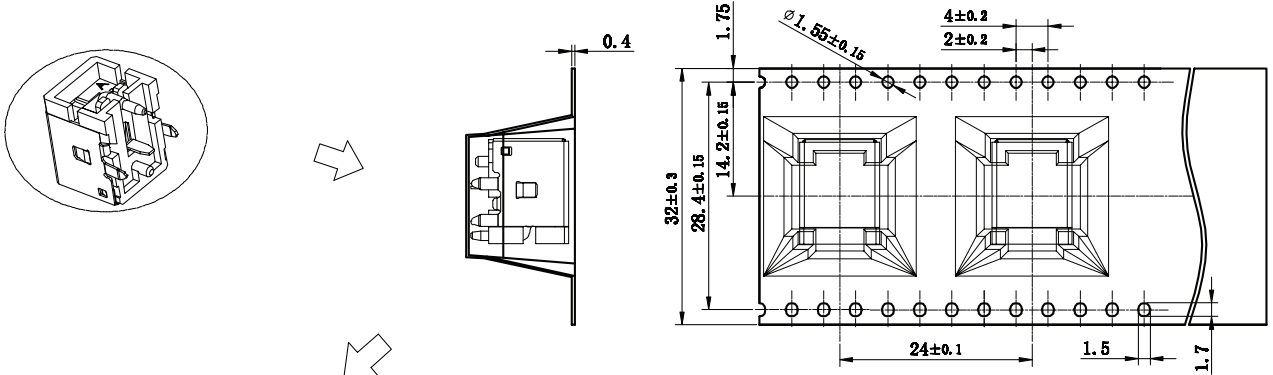
| | |
|------------|-------------|
| Schematic | 1 |
| | 2 |
| Model | PJ-106AH-TR |
| Center Pin | Ø2.0 mm |

PACKAGING

units: mm

Reel Size: $\varnothing 330$ mm

Reel QTY: 200 pcs per reel



REVISION HISTORY

| rev. | description | date |
|------|-----------------|------------|
| 1.0 | initial release | 09/25/2024 |

The revision history provided is for informational purposes only and is believed to be accurate.



Same Sky offers a one (1) year limited warranty. Complete warranty information is listed on our website.

Same Sky reserves the right to make changes to the product at any time without notice. Information provided by Same Sky is believed to be accurate and reliable. However, no responsibility is assumed by Same Sky for its use, nor for any infringements of patents or other rights of third parties which may result from its use.

Same Sky products are not authorized or warranted for use as critical components in equipment that requires an extremely high level of reliability. A critical component is any component of a life support device or system whose failure to perform can be reasonably expected to cause the failure of the life support device or system, or to affect its safety or effectiveness.

[sameskydevices.com](https://www.sameskydevices.com)