

- Specifications:**
- 1. Insulation Resistance: 100MΩhms min. (Initial)
 - 2. Contact Resistance (initial): 30mΩhms max at 100mA(max) 1KHz.
 - 3. Dielectric Withstand Voltage: AC 500V, 60Hz for 1 minute.
 - 4. Insertion Force: 3Kgs max.
 - 5. Extraction Force: 0.08Kgs min. Humidity Test: 40±2, 90~95%, 48 hours.

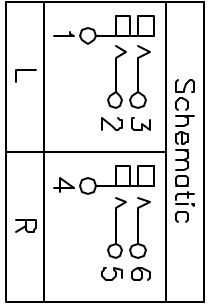
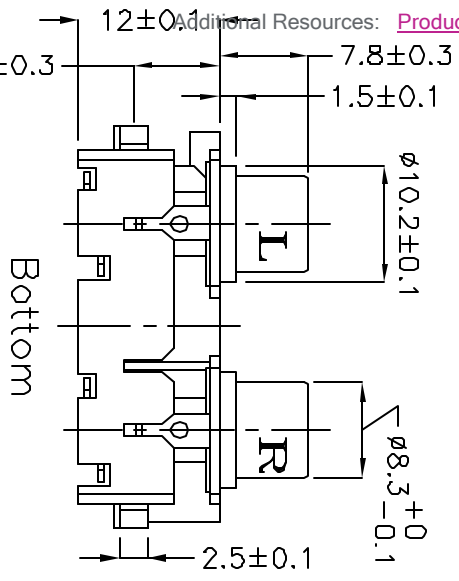
Custom Part Numbers:

- The last part number in the "Color Index" is a custom part template.
- Match color number from "Color Chart" to the desired "Input" on the "Color Index."

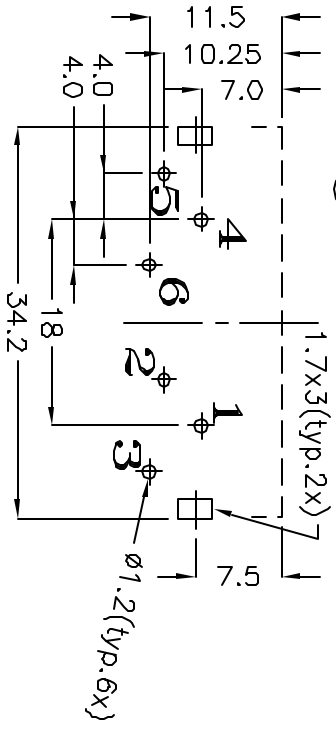
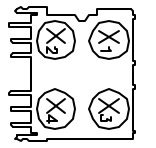
Color Chart
1 = Black
2 = Red
3 = White
4 = Yellow
5 = Blue
6 = Green

Color Index				
Part No.	Input X1	Input X2	Input X3	Input X4
RCJ-412211	Red	Red	Black	Black
RCJ-413344	White	White	Yellow	Yellow
RCJ-412233	Red	Red	White	White
RCJ-41X ₁ X ₂ X ₃ X ₄	Color X ₁	Color X ₂	Color X ₃	Color X ₄

Example: (Black, Red, White, Yellow)
 RCJ-41X₁X₂X₃X₄ = RCJ-411234



PC Board Layout (Top View)



No.	Description	Material	Qty	Finish
6	Input	PBT	4	See Color Index
5	Cover	ABS	2	Black Color
4	Base	ABS	1	Black Color
3	Terminal T	0.5t Brass	2	Silver Plated
2	Terminal D	0.5t Brass	2	Silver Plated
1	Earth Terminal (Barrel)	0.5t Brass	2	Nickel Plated

CUI DEVICES
 6405 SW Rosewood St, Suite C
 Lake Oswego, OR 97035
 Phone: 877-323-3576
 Website: www.cuidevices.com

RCJ-41XXXX
 RCA Jack, Quad 2x2, Rt. Angle, PCB Mount

UNITS: Millimeters

SCALE: 1.5x

APPROVED BY: Todd R. White