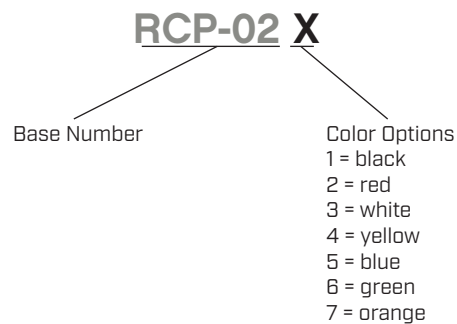


**SERIES:** RCP-02 | **DESCRIPTION:** RCA PLUG**FEATURES**

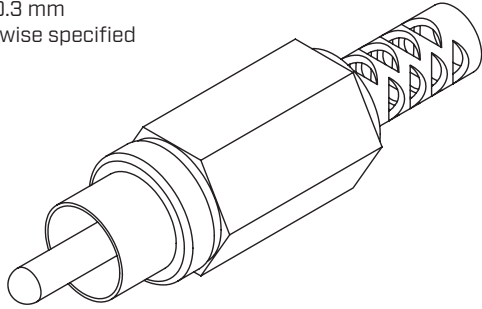
- modular RCA plug connector
- available in multiple colors

**PART NUMBER KEY****SPECIFICATIONS**

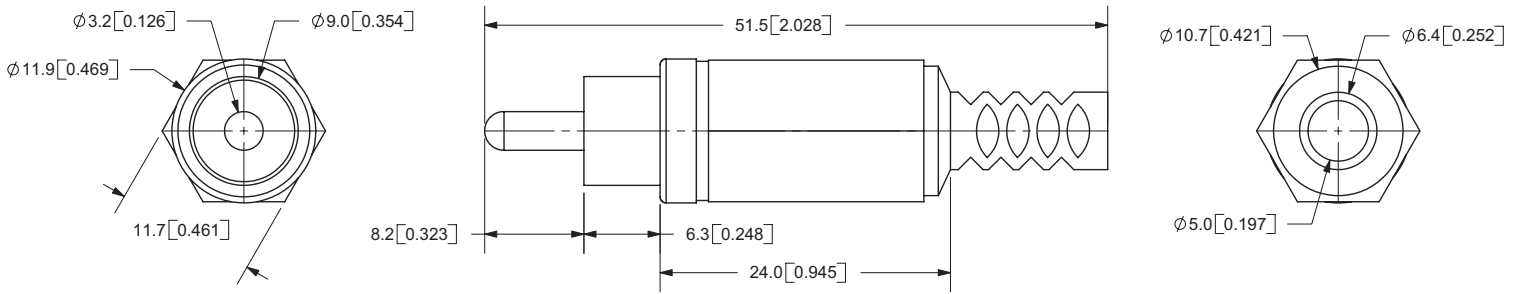
parameter	conditions/description	min	typ	max	units
contact resistance				30	mΩ
insulation resistance	at 500 Vdc	100			MΩ
voltage withstand	for 1 minute			500	Vac
operating temperature		-20		85	°C
life			5,000		cycles
flammability	UL94HB				
RoHS	yes				

MECHANICAL DRAWING

units: mm[inches]
 tolerance: ± 0.3 mm
 unless otherwise specified



	MATERIAL	PLATING
barrel	brass	nickel
cover	PE	color
barrel housing	ABS	color



REVISION HISTORY

rev.	description	date
1.0	initial release	05/16/2006
1.01	brand update	06/11/2020
1.02	logo, datasheet style update	11/21/2022
1.03	CUI Devices rebranded to Same Sky	09/12/2024

The revision history provided is for informational purposes only and is believed to be accurate.



Same Sky offers a one (1) year limited warranty. Complete warranty information is listed on our website.

Same Sky reserves the right to make changes to the product at any time without notice. Information provided by Same Sky is believed to be accurate and reliable. However, no responsibility is assumed by Same Sky for its use, nor for any infringements of patents or other rights of third parties which may result from its use.

Same Sky products are not authorized or warranted for use as critical components in equipment that requires an extremely high level of reliability. A critical component is any component of a life support device or system whose failure to perform can be reasonably expected to cause the failure of the life support device or system, or to affect its safety or effectiveness.

[sameskydevices.com](https://www.sameskydevices.com)