

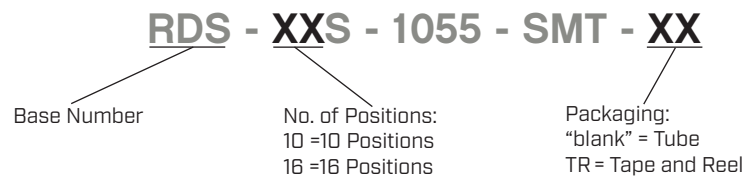

SERIES: RDS-1055-SMT | **DESCRIPTION:** ROTARY DIP SWITCH

FEATURES

- 10 and 16 positions
- flat actuator
- gold plated terminals
- surface mount
- tube or tape and reel packaging


SPECIFICATIONS

| parameter | conditions/description | min | typ | max | units |
|-----------------------|------------------------|--------|-----|-----|---------|
| rated voltage | switching | | | 24 | Vdc |
| | non-switching | | | 50 | Vdc |
| rated current | switching | | | 25 | mA |
| | non-switching | | | 100 | mA |
| withstanding voltage | for 1 minute | | 250 | | Vac |
| contact resistance | initial | | | 50 | mΩ |
| | after life test | | | 100 | mΩ |
| insulation resistance | at 250 Vdc | 100 | | | MΩ |
| operating torque | | | | 500 | gf*cm |
| dial travel | continuous rotation | | 360 | | degrees |
| operating temperature | | -40 | | 85 | °C |
| storage temperature | | -40 | | 85 | °C |
| life | | 10,000 | | | steps |
| flammability rating | UL94V-0 | | | | |
| RoHS | yes | | | | |

PART NUMBER KEY


MECHANICAL DRAWING

units: mm

tolerance:

$X \leq 0.5: \pm 0.25$ mm

$0.5 < X \leq 3.0: \pm 0.15$ mm

$3.0 < X \leq 6.0: \pm 0.20$ mm

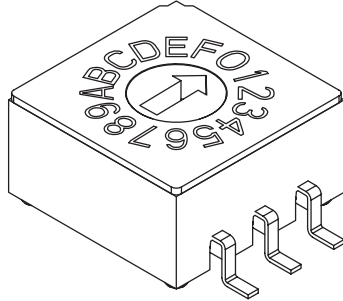
$6.0 < X \leq 30.0: \pm 0.25$ mm

$30.0 < X \leq 120.0: \pm 0.30$ mm

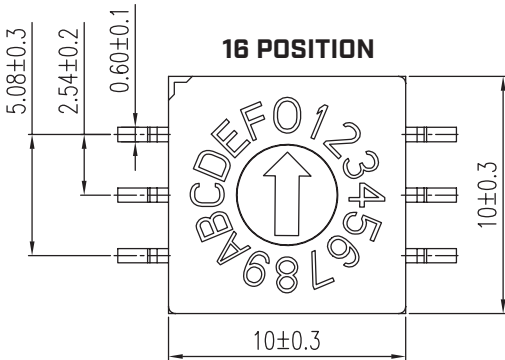
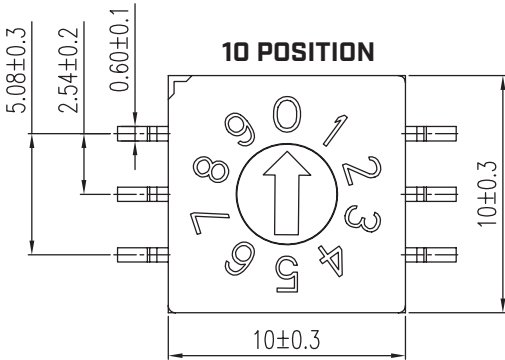
$120.0 < X \leq 400.0: \pm 0.50$ mm

$X > 400.0: \pm 0.80$ mm

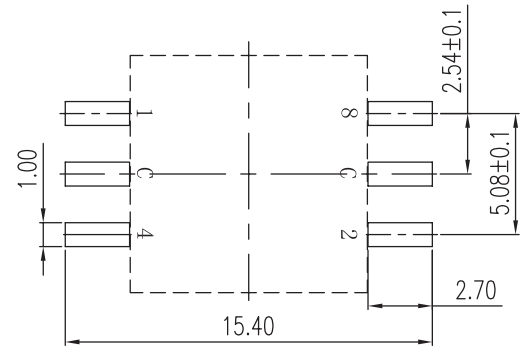
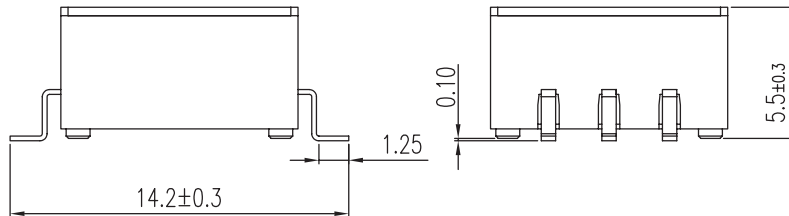
unless otherwise noted



| ITEM | DESCRIPTION | MATERIAL | PLATING/COLOR |
|------|-------------|----------------|---------------|
| 1 | dial | PA9T [UL94V-0] | gray |
| 2 | housing | PA9T [UL94V-0] | black |
| 3 | base | PA9T [UL94V-0] | black |
| 4 | terminals | copper alloy | gold |



| | | ON ○ | | | | |
|---------|-----|-------|------|---|---|--|
| | | OFF ● | CODE | | | |
| TYPE | POS | 1 | 2 | 4 | 8 | |
| 10 STEP | 0 | ● | ● | ● | ● | |
| | 1 | ○ | ● | ● | ● | |
| | 2 | ● | ○ | ● | ● | |
| | 3 | ○ | ○ | ● | ● | |
| | 4 | ● | ● | ○ | ● | |
| | 5 | ○ | ● | ○ | ● | |
| | 6 | ● | ○ | ○ | ● | |
| | 7 | ○ | ○ | ○ | ● | |
| | 8 | ● | ● | ● | ○ | |
| | 9 | ○ | ● | ● | ○ | |
| 16 STEP | A | ● | ○ | ● | ○ | |
| | B | ○ | ○ | ● | ○ | |
| | C | ● | ● | ○ | ○ | |
| | D | ○ | ● | ○ | ○ | |
| | E | ● | ○ | ○ | ○ | |
| | F | ○ | ○ | ○ | ○ | |

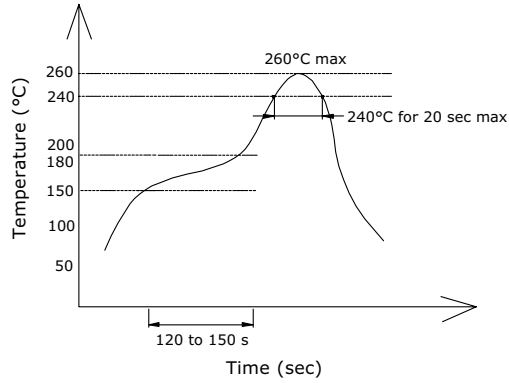


Recommended PCB Layout
Top View

SOLDERABILITY

| parameter | conditions/description | min | typ | max | units |
|-------------------------------|-----------------------------|-----|-----|-----|-------|
| hand soldering | for maximum 3 seconds | 315 | 320 | 325 | °C |
| reflow soldering ¹ | 240-260 °C (20 seconds max) | | | 260 | °C |

Notes: 1. It is recommended to reflow solder within 6 months.

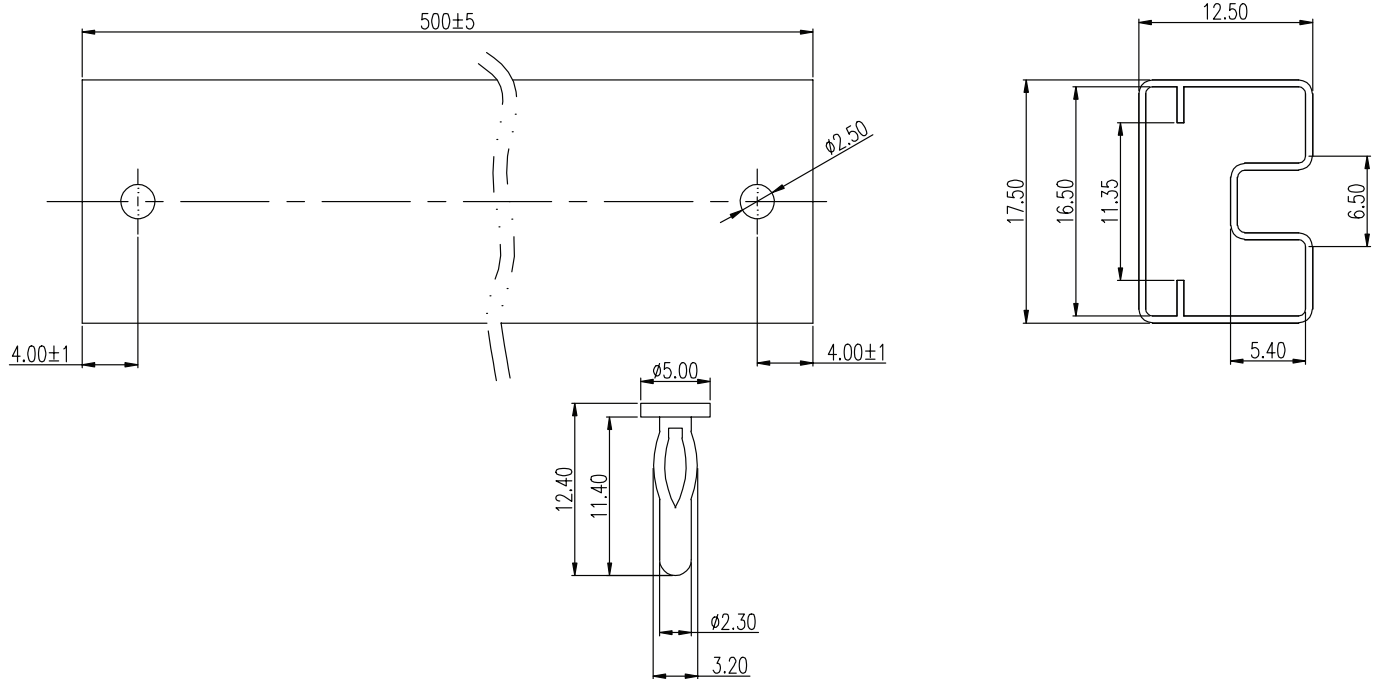


PACKAGING (TUBE)

units: mm

Tube Size: 17.50 x 12.50 x 500 mm

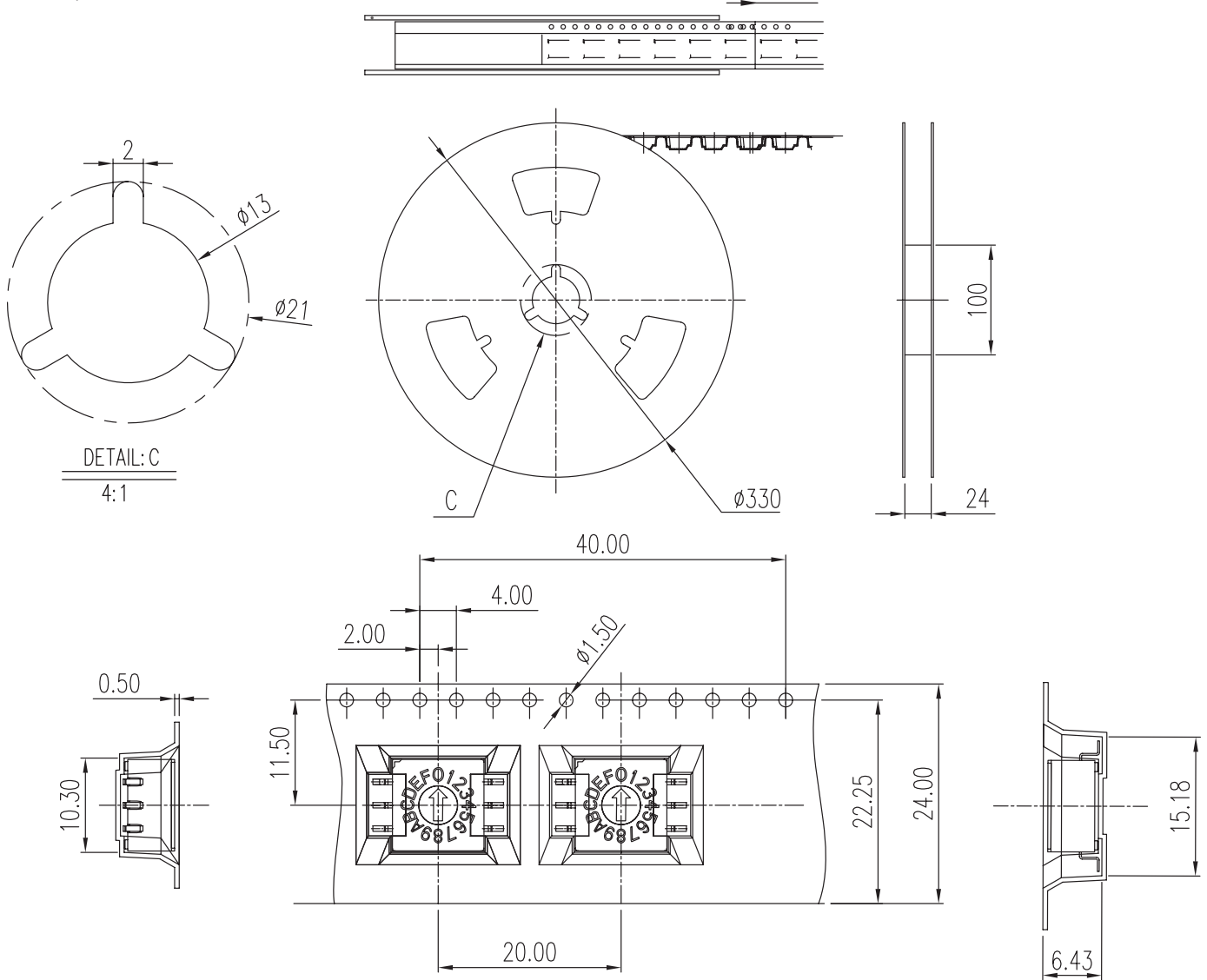
Tube QTY: 47 pcs



PACKAGING (TAPE & REEL)

units: mm

Reel Size: $\varnothing 330$ mm
 Reel QTY: 450 pcs



REVISION HISTORY

| rev. | description | date |
|------|-----------------------------------|------------|
| 1.0 | initial release | 05/21/2020 |
| 1.01 | logo, datasheet style update | 08/05/2022 |
| 1.02 | CUI Devices rebranded to Same Sky | 09/12/2024 |

The revision history provided is for informational purposes only and is believed to be accurate.



Same Sky offers a one (1) year limited warranty. Complete warranty information is listed on our website.

Same Sky reserves the right to make changes to the product at any time without notice. Information provided by Same Sky is believed to be accurate and reliable. However, no responsibility is assumed by Same Sky for its use, nor for any infringements of patents or other rights of third parties which may result from its use.

Same Sky products are not authorized or warranted for use as critical components in equipment that requires an extremely high level of reliability. A critical component is any component of a life support device or system whose failure to perform can be reasonably expected to cause the failure of the life support device or system, or to affect its safety or effectiveness.

[sameskydevices.com](https://www.sameskydevices.com)