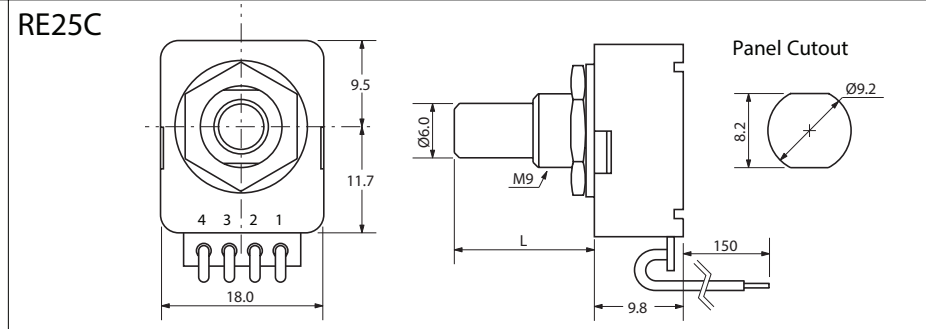
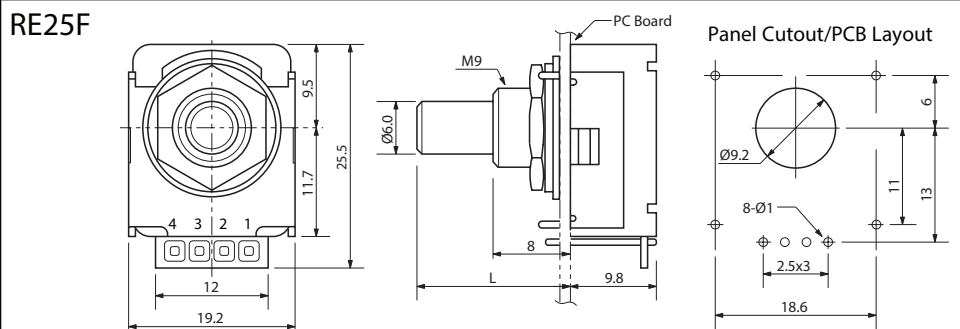
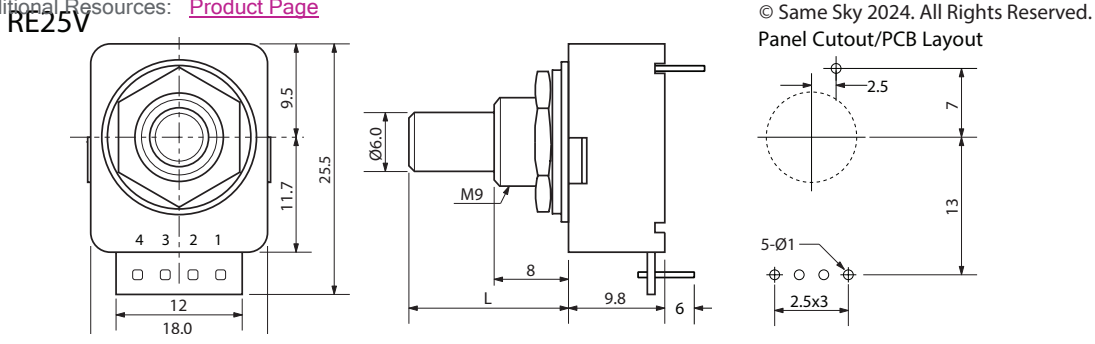
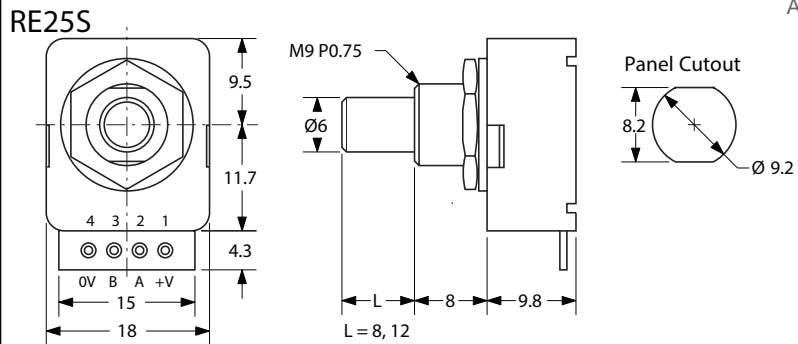


Additional Resources: [Product Page](#)

© Same Sky 2024. All Rights Reserved.



**SPECIFICATIONS**

**ELECTRICAL**

1. Input Power: 5.0 VDC ±10% @ 10mA  
3.3 VDC ±10% @ 10mA
2. Output Voltage: H = Vcc - 0.4V  
L 0.4V
3. Resolution: 16, 25 PPR
3. Output Type: TTL/CMOS Compatible
4. Max. Freq. Response: 500 Hz

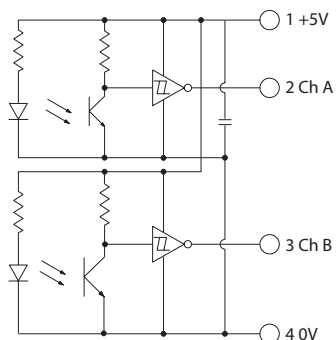
**MECHANICAL**

1. Max Shaft Load, radial: 1.0 kgf  
axial: 1.0 kgf
2. Rotational Angle: 360° continuous
3. Click Torque: 100 gf cm max.
4. Rotational Life : 2.5 x 10<sup>6</sup> cycles

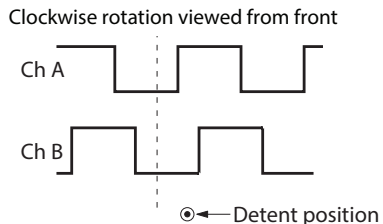
**ENVIRONMENTAL**

1. Operating Temp: 0° to +60° C
2. Storage Temp: -20° to +80° C
3. Humidity: 85% RH, no condensation
4. Vibration: 10~55 Hz, 1.5 mm, 2 hrs
5. Shock: 50G, 6ms , 3 axes , 3 reps

**OUTPUT CIRCUIT**

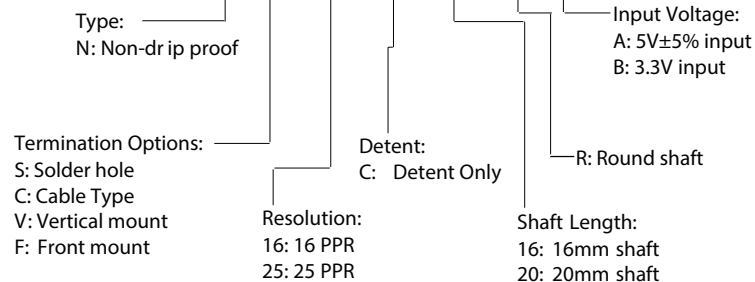


**OUTPUT WAVEFORM**



**ORDERING INSTRUCTIONS**

**RE25X X XX C XX R X**



Same Sky 6405 SW Rosewood St, Suite C Lake Oswego, OR 97035 www.sameskydevices.com			
DRAWN BY JRH	UPDATED 09/12/2024	CHECKED 09/03/2020	UNIT MM
PART NO. <b>RE25XXXXCXXX</b>			REV. <b>B</b>