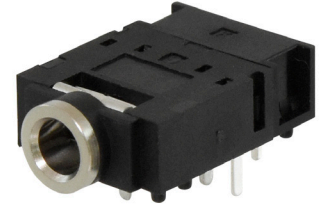


MODEL: SJ-3566AN | **DESCRIPTION:** AUDIO JACK**FEATURES**

- low profile design
- SPDT switch

**SPECIFICATIONS**

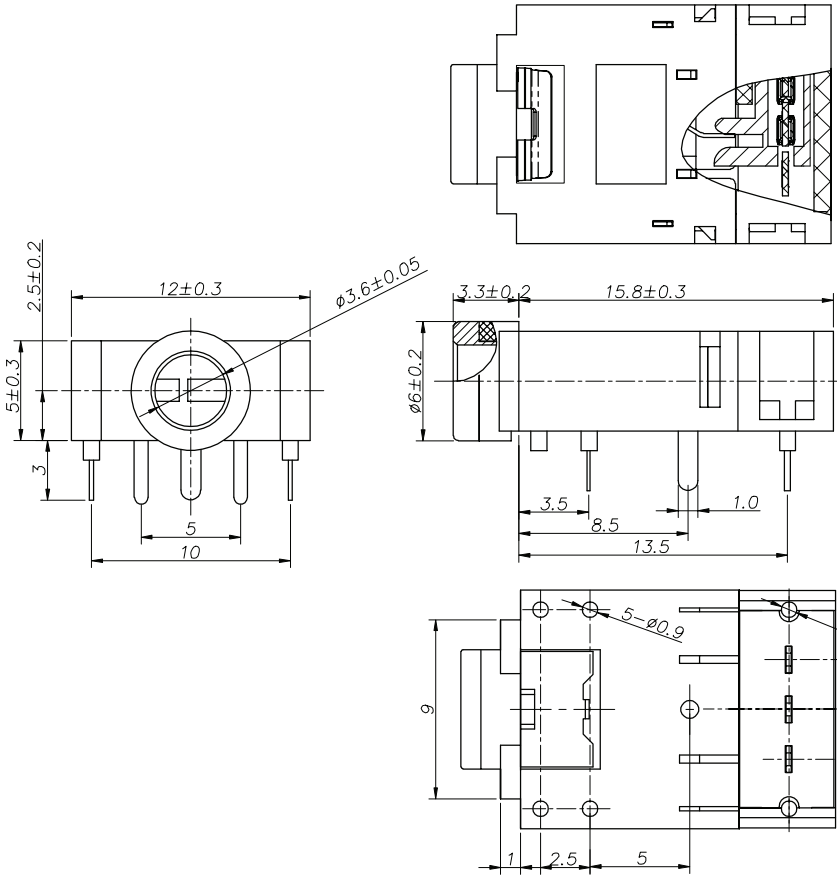
parameter	conditions/description	min	typ	max	units
rated input voltage			15		Vdc
rated input current				1	A
contact resistance	terminals 1-3 terminals 4-6			50 30	mΩ mΩ
insulation resistance	at 500 Vdc	100			MΩ
voltage withstand	for 1 minute			500	Vac
insertion/withdrawal force		0.3		3	kg
operating temperature		-20		70	°C
storage temperature		-40		85	°C
life			5,000		cycles
flammability rating	UL94V-0				
RoHS	yes				

SOLDERABILITY

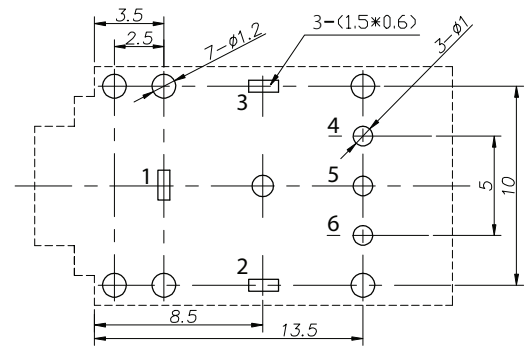
parameter	conditions/description	min	typ	max	units
wave soldering	dipped in solder pot for 4-6 seconds		250		°C

MECHANICAL DRAWING

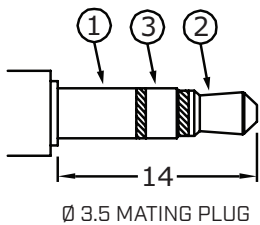
units: mm
 tolerance: ± 0.3 mm
 PCB: ± 0.05 mm
 unless otherwise specified



DESCRIPTION	MATERIAL	PLATING/COLOR
terminal 1	brass t=0.20	tin over nickel
terminal 2	stainless steel t=0.25	silver over nickel
terminal 3	stainless steel t=0.2	silver over nickel
terminal 4	brass t=0.35	silver over nickel
terminal 5	brass t=0.35	silver over nickel
terminal 6	brass t=0.35	silver over nickel
bushing	copper alloy	nickel
switch/slide housing	PA66+15%GF [UL94V-0]	black
housing	PBT [UL94V-0]	black
bakelite	PF	brown
contact clip	copper alloy t=0.05	silver over nickel



Recommended PCB Layout
Top View



Model No.	SJ-3566AN
Schematic	 Plug Not Inserted Plug Inserted
PIN	
1	sleeve
2	tip
3	ring

REVISION HISTORY

rev.	description	date
1.0	initial release	09/13/2006
1.01	new template applied	12/13/2011
1.02	widened operating temperature range	09/25/2013
1.03	updated drawing	02/20/2015
1.04	changed material of terminal 2 to be stainless steel	04/05/2016
1.05	changed terminal plating to silver	02/13/2019
1.06	brand update	10/10/2019
1.07	discontinued models SJ-3567AN, SJ-3567BN, SJ-3566BN, & SJ-3568N; logo, datasheet style update	08/15/2022
1.08	product reengineered for improved manufacturability and production yield, see PCN for details	06/02/2023
1.09	CUI Devices rebranded to Same Sky	09/12/2024

The revision history provided is for informational purposes only and is believed to be accurate.



Same Sky offers a one (1) year limited warranty. Complete warranty information is listed on our website.

Same Sky reserves the right to make changes to the product at any time without notice. Information provided by Same Sky is believed to be accurate and reliable. However, no responsibility is assumed by Same Sky for its use, nor for any infringements of patents or other rights of third parties which may result from its use.

Same Sky products are not authorized or warranted for use as critical components in equipment that requires an extremely high level of reliability. A critical component is any component of a life support device or system whose failure to perform can be reasonably expected to cause the failure of the life support device or system, or to affect its safety or effectiveness.

[sameskydevices.com](https://www.sameskydevices.com)