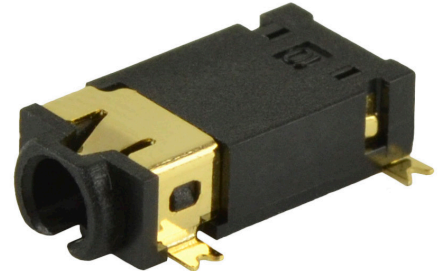




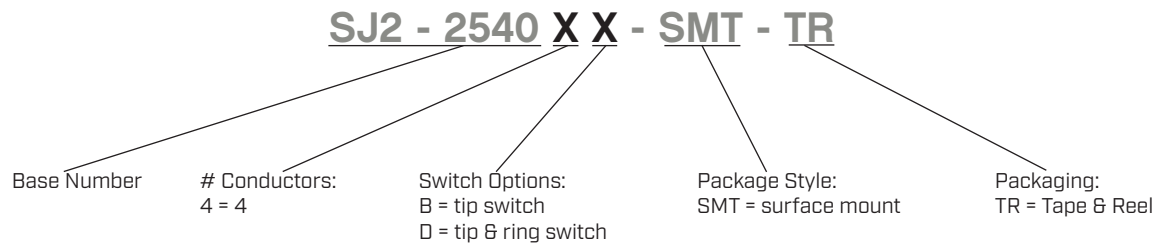
**SERIES:** SJ2-2540X-SMT | **DESCRIPTION:** AUDIO JACK

## FEATURES

- gold terminal plating
- multiple switch configurations
- low profile design
- reflow solder profile



## PART NUMBER KEY



## SPECIFICATIONS

parameter	conditions/description	min	typ	max	units
rated input voltage			12		Vdc
rated input current				1	A
contact resistance				30	mΩ
insulation resistance	at 500 Vdc	100			MΩ
voltage withstand	for 1 minute			500	Vac
insertion/withdrawal force		0.3		3	kg
operating temperature		-40		85	°C
storage temperature		-10		50	°C
life			5,000		cycles
flammability rating	UL94V-0				
RoHS	yes				

## MECHANICAL DRAWING

units: mm

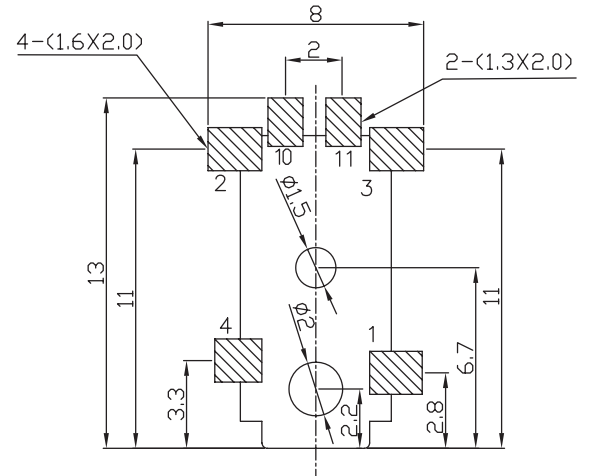
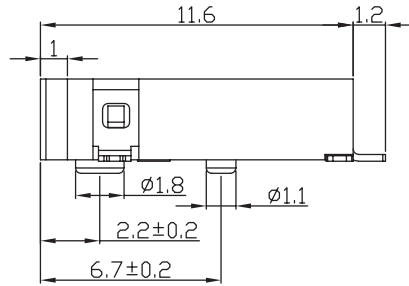
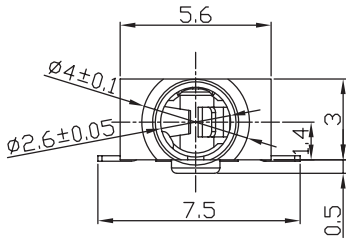
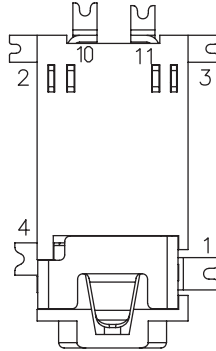
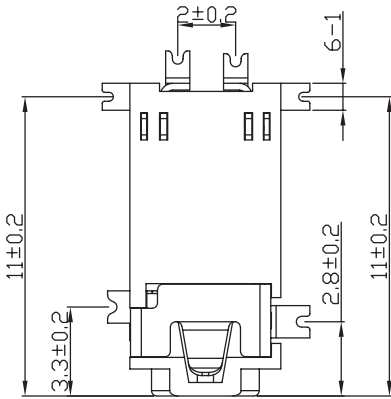
tolerance:

$X \leq 4.00$ :  $\pm 0.15$  mm

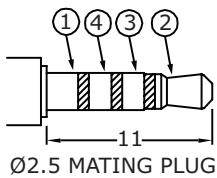
$4.00 < X \leq 16.00$ :  $\pm 0.20$  mm

$16.00 < X \leq 63.00$ :  $\pm 0.30$  mm

unless otherwise noted



Recommended PCB Layout  
Top View



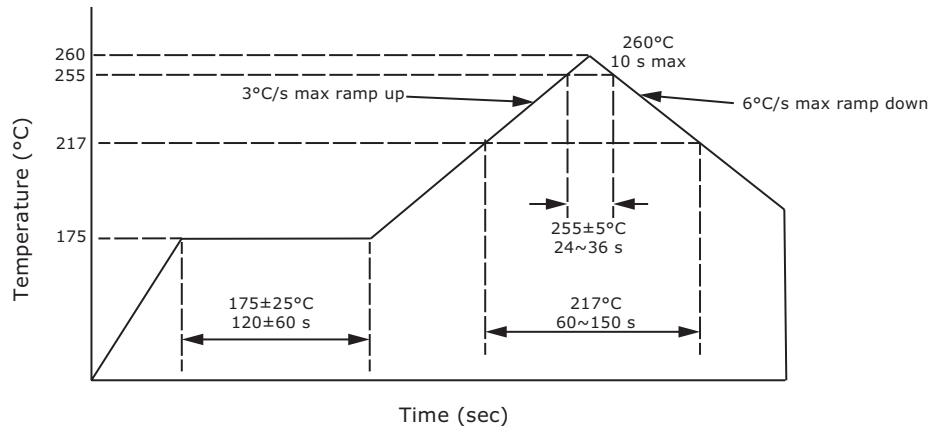
DESCRIPTION	MATERIAL	PLATING/COLOR
terminal 1	phosphor bronze t=0.25	gold
terminal 2	phosphor bronze t=0.20	gold
terminal 3	phosphor bronze t=0.20	gold
terminal 4	phosphor bronze t=0.20	gold
terminal 10	brass t=0.25	gold
terminal 11	brass t=0.25	gold
housing	PA9T [UL94V-0]	black

Model No.	SJ2-25404B-SMT	SJ2-25404D-SMT
Schematic		
PIN		
1	sleeve	sleeve
2	tip	tip
3	ring 1	ring 1
4	ring 2	ring 2
10	tip switch	tip switch
11	NP	ring 1 switch

## SOLDERABILITY

parameter	conditions/description	min	typ	max	units
reel storage	reel opened & unused parts repacked within 2 hours: $\leq 30^{\circ}\text{C}$ , $\leq 60\%$ humidity reel unopened, 1 year shelf life: $\leq 30^{\circ}\text{C}$ , $\leq 85\%$ humidity				
reflow soldering	see reflow profile			260	$^{\circ}\text{C}$
drying conditions	parts removed from reel over 6 hours: bake at $40^{\circ}\text{C}$ for 6 hours				

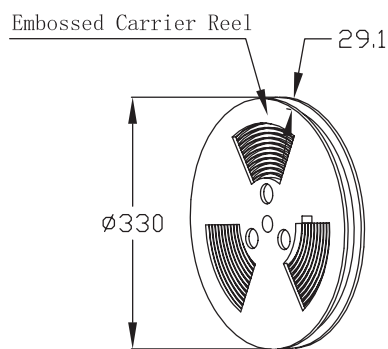
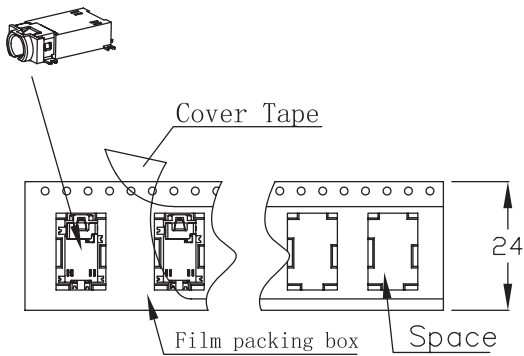
Note: 1. Same Sky recommends usage of the product within 2 hours after T&R is opened. After 6 hours, Same Sky recommends drying the parts prior to use.



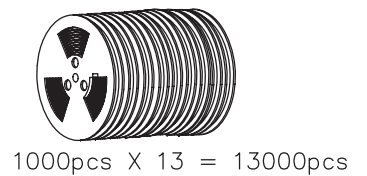
## PACKAGING

units: mm

Reel Size:  $\varnothing 330$  mm  
Reel QTY: 1,000 pcs per reel



1000pcs X 1 = 1000pcs



## REVISION HISTORY

rev.	description	date
1.0	initial release	12/07/2016
1.01	added storage and drying conditions	06/07/2017
1.02	brand update	10/04/2019
1.03	discontinued models SJ2-25404A-SMT-TR & SJ2-25404C-SMT-TR; logo, datasheet style update	08/18/2022
1.04	product reengineered for improved manufacturability and production yield, see PCN for details	01/24/2023
1.05	CUI Devices rebranded to Same Sky	09/12/2024

The revision history provided is for informational purposes only and is believed to be accurate.



Same Sky offers a one (1) year limited warranty. Complete warranty information is listed on our website.

Same Sky reserves the right to make changes to the product at any time without notice. Information provided by Same Sky is believed to be accurate and reliable. However, no responsibility is assumed by Same Sky for its use, nor for any infringements of patents or other rights of third parties which may result from its use.

Same Sky products are not authorized or warranted for use as critical components in equipment that requires an extremely high level of reliability. A critical component is any component of a life support device or system whose failure to perform can be reasonably expected to cause the failure of the life support device or system, or to affect its safety or effectiveness.

[sameskydevices.com](https://www.sameskydevices.com)