



**MODEL:** SJ3-35013A-SMT-TR | **DESCRIPTION:** AUDIO JACK

**FEATURES**

- 3.5 mm audio jack
- through hole
- tape & reel packaging



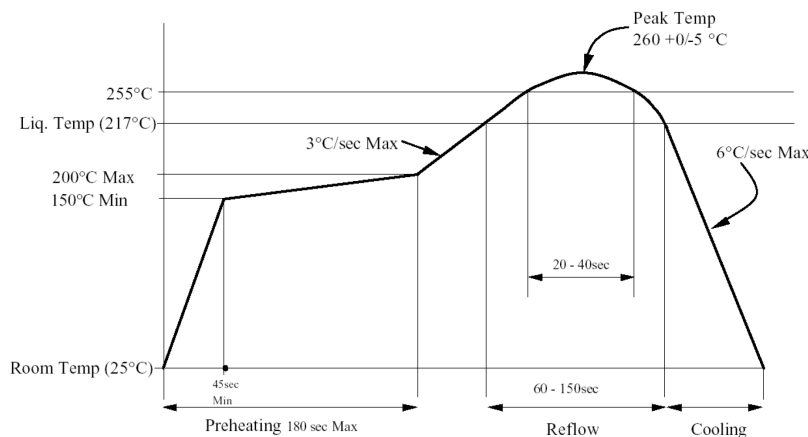
**SPECIFICATIONS**

parameter	conditions/description	min	typ	max	units
rated input voltage			12		Vdc
rated input current				1	A
contact resistance				100	mΩ
insulation resistance	at 500 Vdc	100			MΩ
voltage withstand	for 1 minute			500	Vac
insertion/withdrawal force		0.3		3	kg
operating temperature		-25		85	°C
life			5,000		cycles
flammability rating	UL94V-0				
RoHS	yes				

**SOLDERABILITY**

parameter	conditions/description	min	typ	max	units
reel storage	5~25°C, 20~75% humidity				
reflow soldering	see reflow profile	255	260		°C

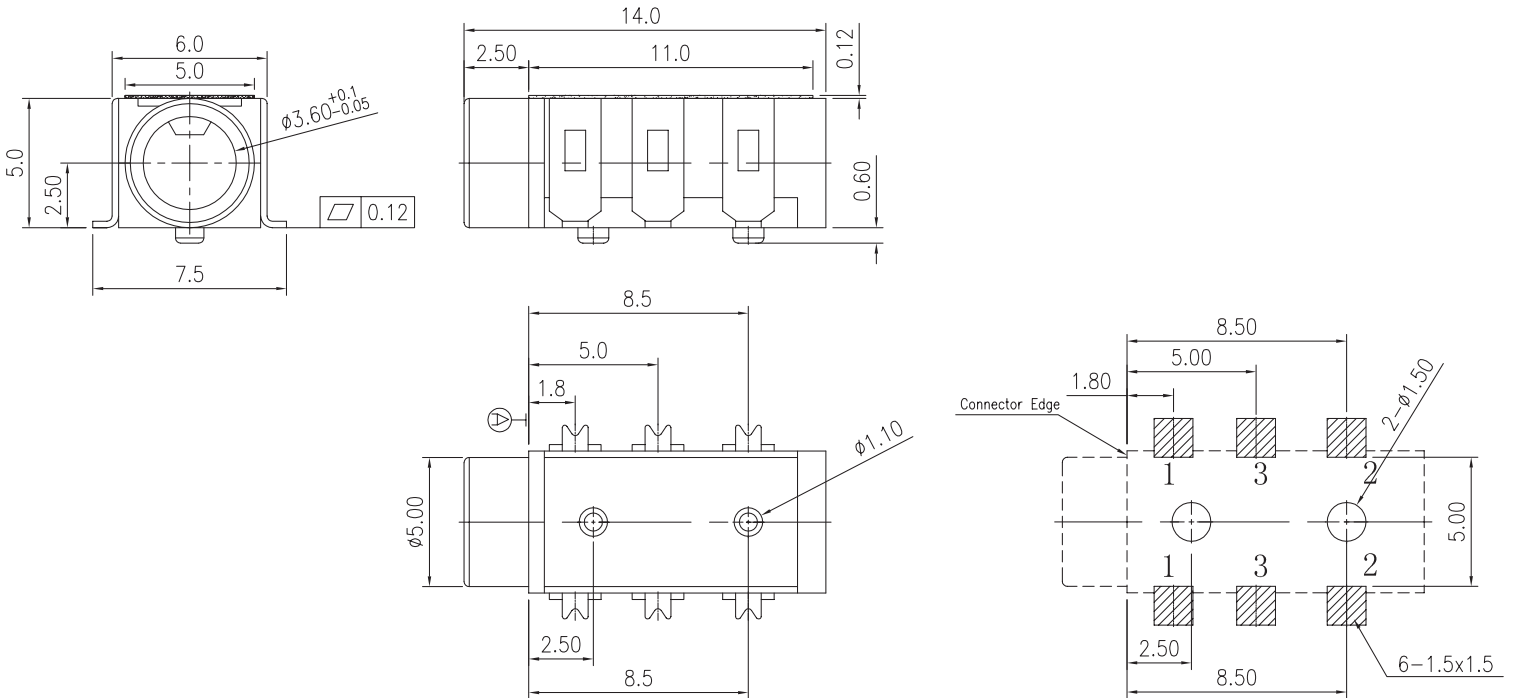
Note: 1. Same Sky recommends usage of the product within 24 hours after T&R is opened. After 24 hours, Same Sky recommends drying the parts prior to use.



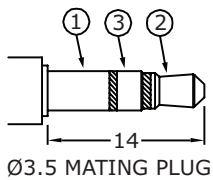
## MECHANICAL DRAWING

units: mm  
 tolerance:  
 X.X ±0.30 mm  
 X.XX ±0.25 mm  
 X.XXX ±0.20 mm  
 PCB: ±0.05 mm  
 unless otherwise specified

ITEM	DESCRIPTION	MATERIAL	PLATING/COLOR
1	housing	PA10T [UL4V-0]	black
2	terminal 1	stainless steel t=0.20	silver over nickel
3	terminal 2	stainless steel t=0.25	silver over nickel
4	terminal 3	stainless steel t=0.20	silver over nickel
5	mylar	polyimide tape	



Recommended PCB Layout  
Top View



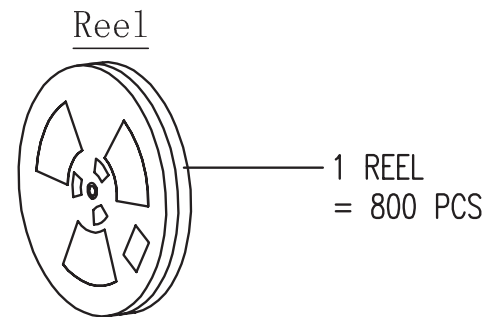
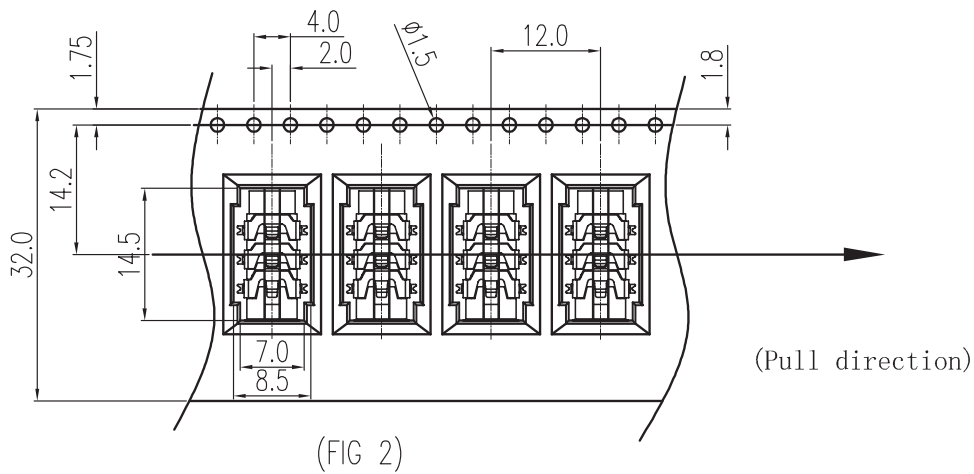
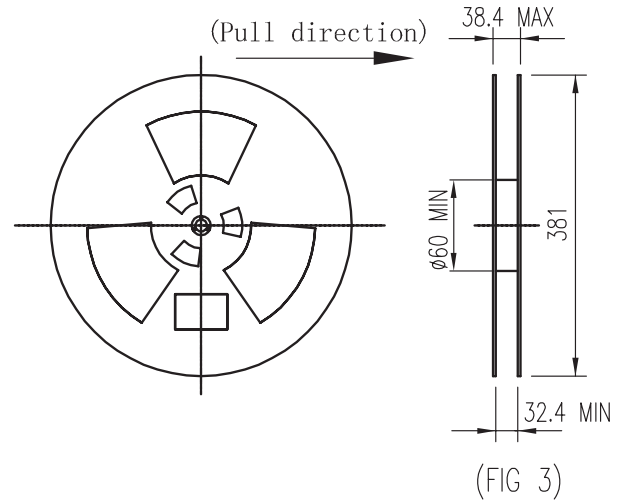
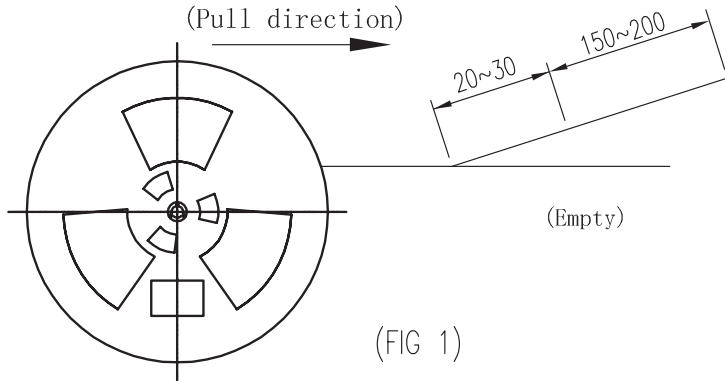
Model No.	SJ3-35013A-SMT-TR
Schematic	
PIN	
1	sleeve
2	tip
3	ring

## PACKAGING

units: mm

Reel Size:  $\varnothing 381$  mm

Reel QTY: 800 pcs per reel



## REVISION HISTORY

rev.	description	date
1.0	initial release	06/12/2024
1.01	CUI Devices rebranded to Same Sky	09/12/2024

The revision history provided is for informational purposes only and is believed to be accurate.



Same Sky offers a one (1) year limited warranty. Complete warranty information is listed on our website.

Same Sky reserves the right to make changes to the product at any time without notice. Information provided by Same Sky is believed to be accurate and reliable. However, no responsibility is assumed by Same Sky for its use, nor for any infringements of patents or other rights of third parties which may result from its use.

Same Sky products are not authorized or warranted for use as critical components in equipment that requires an extremely high level of reliability. A critical component is any component of a life support device or system whose failure to perform can be reasonably expected to cause the failure of the life support device or system, or to affect its safety or effectiveness.

[sameskydevices.com](https://www.sameskydevices.com)