

## SERIES: SJ3-35015X | DESCRIPTION: AUDIO JACK

### FEATURES

- reflow solder
- tape & reel packaging



### PART NUMBER KEY

**SJ3 - 35015 X AG - TR**

Base Number

# Conductors:

3 = 3

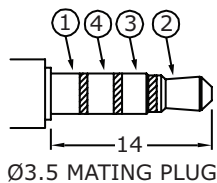
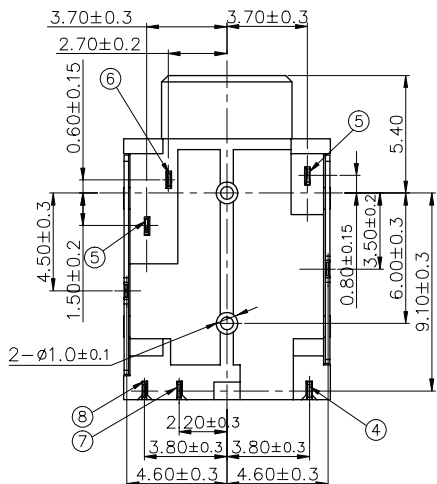
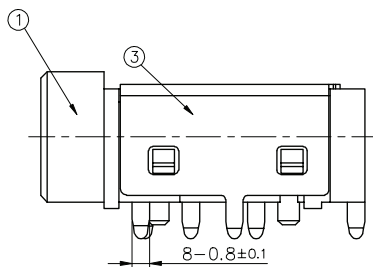
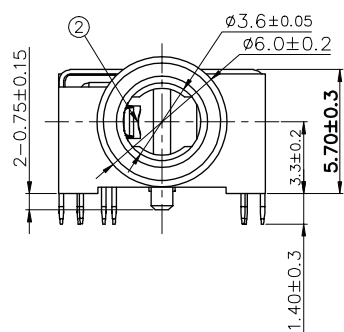
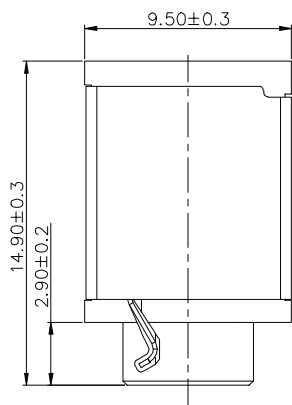
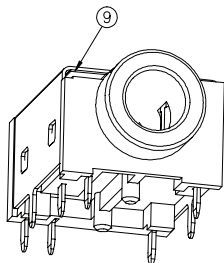
4 = 4

### SPECIFICATIONS

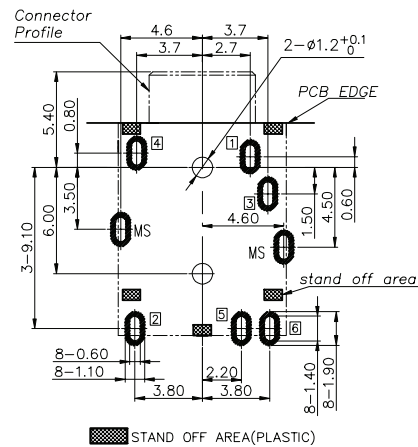
| parameter                  | conditions/description | min | typ   | max | units  |
|----------------------------|------------------------|-----|-------|-----|--------|
| rated input voltage        |                        |     | 30    |     | Vdc    |
| rated input current        |                        |     |       | 0.5 | A      |
| contact resistance         |                        |     |       | 50  | mΩ     |
| insulation resistance      | at 500 Vdc             | 100 |       |     | MΩ     |
| voltage withstand          | for 1 minute           |     |       | 500 | Vac    |
| insertion/withdrawal force |                        | 0.3 |       | 3   | kg     |
| operating temperature      |                        | -20 |       | 70  | °C     |
| storage temperature        |                        | -40 |       | 85  | °C     |
| life                       |                        |     | 5,000 |     | cycles |
| flammability rating        | UL94V-0                |     |       |     |        |
| RoHS                       | yes                    |     |       |     |        |

## MECHANICAL DRAWING

units: mm  
 tolerance:  
 X.X ±0.50 mm  
 X.XX ±0.30 mm  
 X.XXX ±0.15 mm  
 PCB: ±0.05 mm  
 unless otherwise specified  
 PCB thickness: 1.2 mm



| ITEM | DESCRIPTION     | MATERIAL               | PLATING/COLOR   |
|------|-----------------|------------------------|---|
| 1    | housing         | PA10T (UL94V-0)        | black   |
| 2    | seperate        | PA10T (UL94V-0)        | black   |
| 3    | shield          | brass t=0.20           | nickel  |
| 4    | terminal 2      | phosphor bronze t=0.25 | contact area: 1 μ" gold over nickel<br>solder area: matte tin over nickel |
| 5    | terminals 3 & 4 | phosphor bronze t=0.20 | contact area: 1 μ" gold over nickel<br>solder area: matte tin over nickel |
| 6    | terminal 1      | phosphor bronze t=0.20 | contact area: 1 μ" gold over nickel<br>solder area: matte tin over nickel |
| 7    | terminal 5      | phosphor bronze t=0.20 | contact area: 20 μ" silver over nickel<br>solder area: nickel             |
| 8    | terminal 6      | phosphor bronze t=0.20 | contact area: 20 μ" silver over nickel<br>solder area: nickel             |
| 9    | mylar           |                        |   |

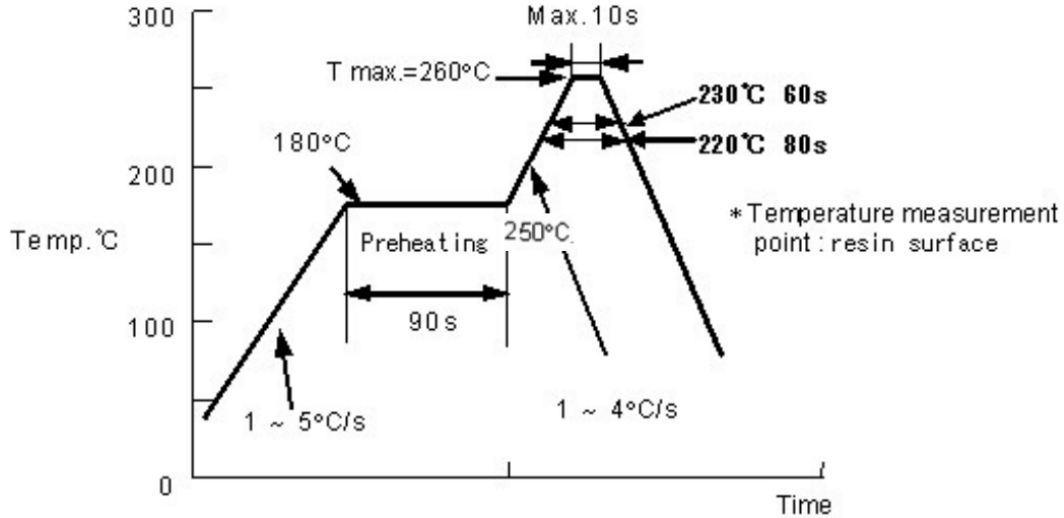


Recommended PCB Layout Top View

| Model No. | SJ3-350153AG-TR           | SJ3-350154AG-TR           |
|-----------|---------------------------|---------------------------|
| Schematic |                           |                           |
| PIN       |                           |                           |
| 1         | NP                        | sleeve                    |
| 2         | tip                       | tip                       |
| 3         | ring 1                    | ring 1                    |
| 4         | ring 2                    | ring 2                    |
| 5         | isolated tip              | isolated tip              |
| 6         | isolated tip switch (N-O) | isolated tip switch (N-O) |

## SOLDERABILITY

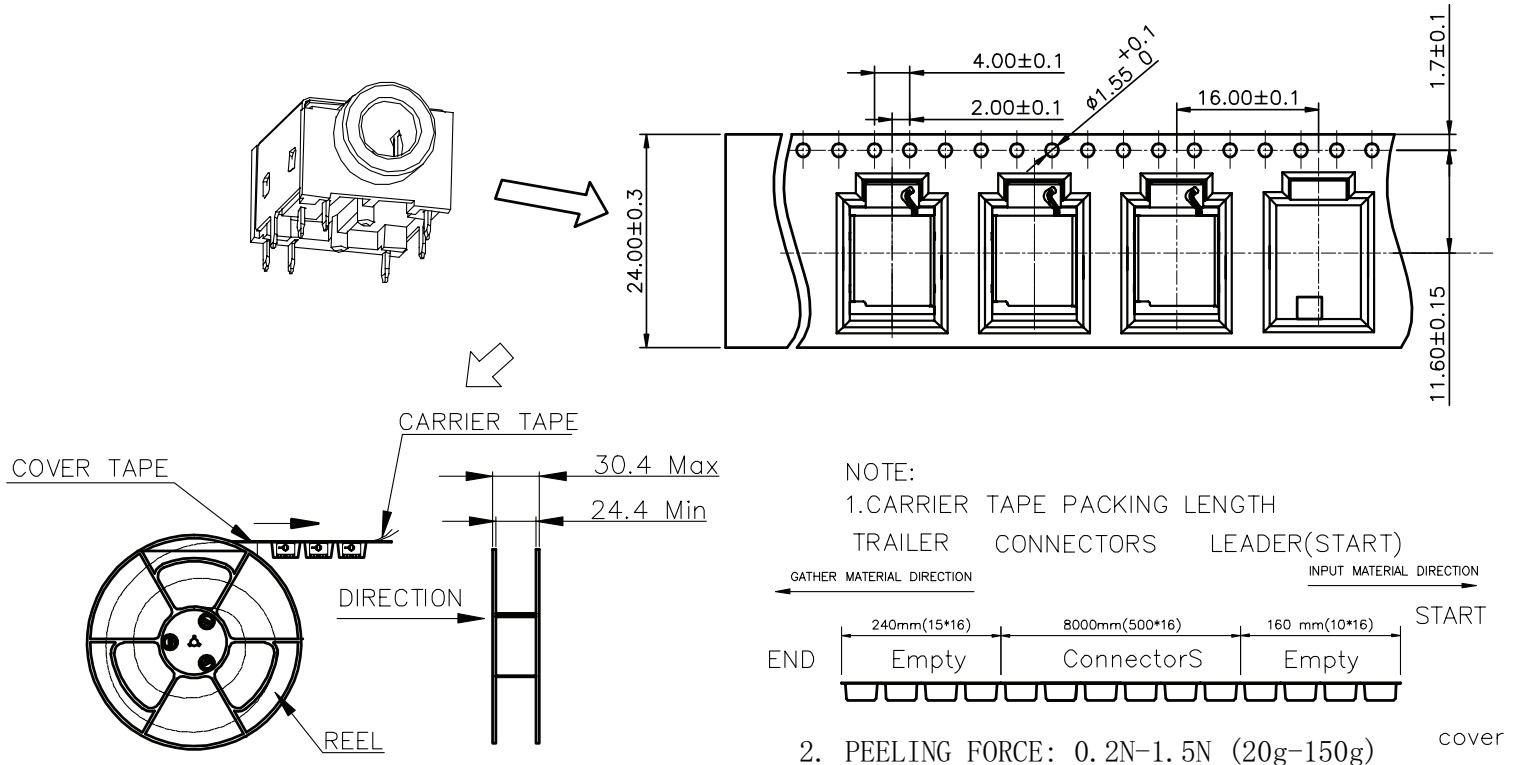
| parameter         | conditions/description    | min | typ | max | units |
|-------------------|---------------------------|-----|-----|-----|-------|
| reel storage      | 5~35°C, <75% humidity     |     |     |     | °C    |
| reflow soldering  | see reflow profile        |     |     | 260 | °C    |
| drying conditions | bake at 120°C for 4 hours |     |     |     |       |



## PACKAGING

units: mm

Reel Size:  $\varnothing$ 330 mm  
 Reel QTY: 500 pcs per reel



## REVISION HISTORY

| rev. | description     | date       |
|------|-----------------|------------|
| 1.0  | initial release | 09/30/2024 |

The revision history provided is for informational purposes only and is believed to be accurate.



Same Sky offers a one (1) year limited warranty. Complete warranty information is listed on our website.

Same Sky reserves the right to make changes to the product at any time without notice. Information provided by Same Sky is believed to be accurate and reliable. However, no responsibility is assumed by Same Sky for its use, nor for any infringements of patents or other rights of third parties which may result from its use.

Same Sky products are not authorized or warranted for use as critical components in equipment that requires an extremely high level of reliability. A critical component is any component of a life support device or system whose failure to perform can be reasonably expected to cause the failure of the life support device or system, or to affect its safety or effectiveness.

[sameskydevices.com](https://www.sameskydevices.com)