

**MODEL:** SJ5-43502PM | **DESCRIPTION:** AUDIO JACK**FEATURES**

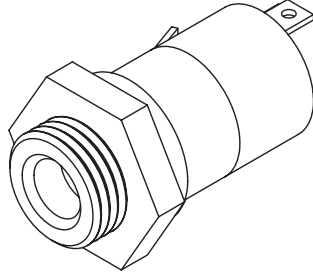
- panel mount
- vertical
- 4 conductor

**SPECIFICATIONS**

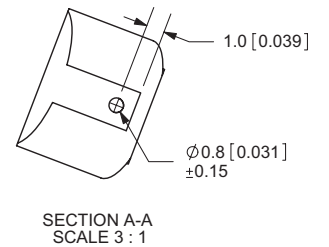
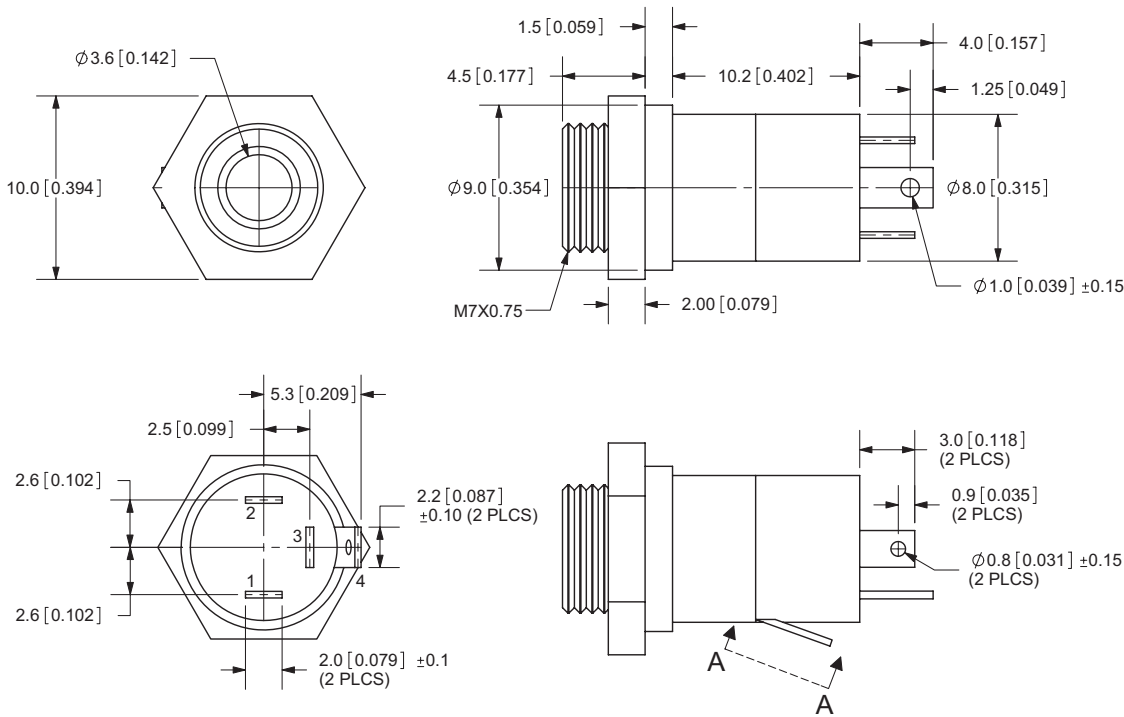
parameter	conditions/description	min	typ	max	units
rated input voltage			16		Vdc
rated input current		20		300	mA
contact resistance	between terminal and mating plug			50	mΩ
insulation resistance	at 500 Vdc	100			MΩ
voltage withstand	for 1 minute			500	Vac
life			5,000		cycles
RoHS	yes				

MECHANICAL DRAWING

units: mm
 tolerance: ±0.3 mm
 unless otherwise noted



ITEM	DESCRIPTION	MATERIAL	PLATING/COLOR
1	nut	steel	nickel
2	terminal 1	phosphor bronze	gold
3	terminal 2	phosphor bronze	nickel
4	terminal 3	phosphor bronze	nickel
5	terminal 4	phosphor bronze	nickel
6	shell	brass	nickel
7	housing	PBT (UL94V-0)	black



Model No.	SJ5-43502PM
Schematic	
PIN	
1	tip
2	ring 1
3	ring 2
4	sleeve

REVISION HISTORY

rev.	description	date
1.0	initial release	09/08/2008
1.01	corrected rating typo	01/09/2015
1.02	logo, datasheet style update	10/05/2022
1.03	CUI Devices rebranded to Same Sky	09/12/2024

The revision history provided is for informational purposes only and is believed to be accurate.



Same Sky offers a one (1) year limited warranty. Complete warranty information is listed on our website.

Same Sky reserves the right to make changes to the product at any time without notice. Information provided by Same Sky is believed to be accurate and reliable. However, no responsibility is assumed by Same Sky for its use, nor for any infringements of patents or other rights of third parties which may result from its use.

Same Sky products are not authorized or warranted for use as critical components in equipment that requires an extremely high level of reliability. A critical component is any component of a life support device or system whose failure to perform can be reasonably expected to cause the failure of the life support device or system, or to affect its safety or effectiveness.

[sameskydevices.com](https://www.sameskydevices.com)