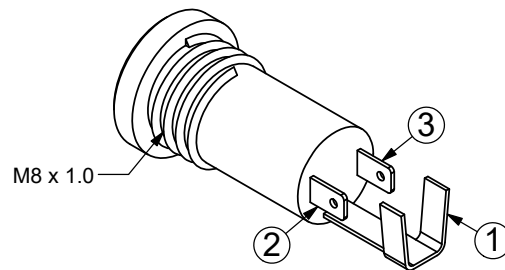
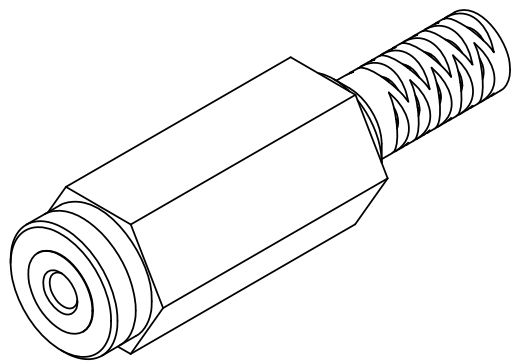
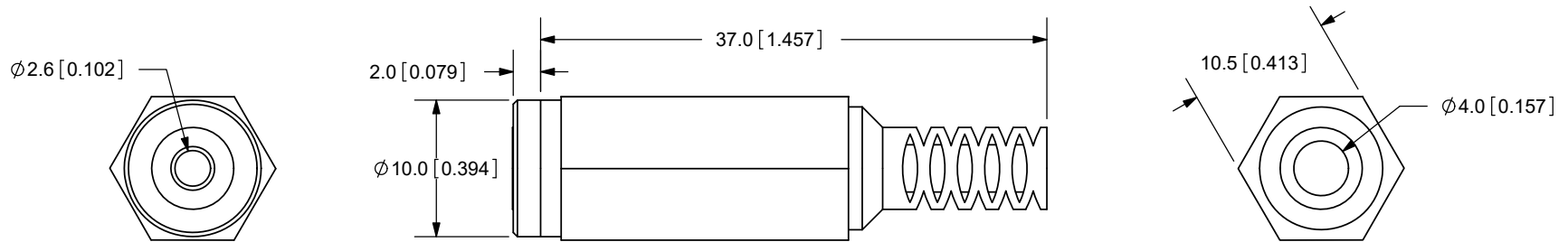


Additional Resources: [Product Page](#)

B	<a href="#">3D Model</a>
C	
D	
E	

DESCRIPTION	DATE
NEW DRAWING	7/17/2006
pin schematic added	12/5/2006
added pin designations	9/2/2008
corrected thread size	1/30/2014
logo, brand update	10/28/2022



HOUSING DETAIL DRAWING

TOLERANCE:  
±0.3mm UNLESS OTHERWISE  
SPECIFIED



**SPECIFICATIONS:**  
 CONTACT RESISTANCE: 50m OHMS MAX  
 INSULATION RESISTANCE: 100M OHMS MIN: 500V DC  
 VOLTAGE WITHSTAND: 500V AC R.M.S. FOR 1 MINUTE  
 LIFE: 5,000 CYCLES

MODEL NO.	SR-2501
SCHEMATIC	

	MATERIAL	PLATING
TERMINAL 1	Brass	Nickel
TERMINAL 2	Phosphor Bronze	Nickel
TERMINAL 3	Phosphor Bronze	Gold
INSULATOR	Brass	Gold
CAP	PE	
HOUSING	PA	

6405 SW Rosewood St, Suite C  
 Lake Oswego, OR 97035  
 Phone: 877-323-3576

Website: [www.sameskydevices.com](http://www.sameskydevices.com)

TITLE: IN-LINE STEREO JACK		REV: E
PART NO. SR-2501		UNITS: MM [INCHES]
DRAWN BY: RDS	APPROVED BY:	SCALE: 2:1