

**MODEL:** SR-3501 | **DESCRIPTION:** AUDIO JACK**FEATURES**

- 3.5 mm audio jack
- cable mount
- stereo audio

**SPECIFICATIONS**

parameter	conditions/description	min	typ	max	units
contact resistance	between terminal and mating plug			50	mΩ
insulation resistance	at 500 Vdc	100			MΩ
voltage withstand	for 1 minute			500	Vac
insertion/withdrawal force		0.4		2	kg
operating temperature		-10		50	°C
life			3,000		cycles
flammability rating	UL94V-2 (PA only)				
RoHS	yes				

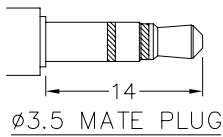
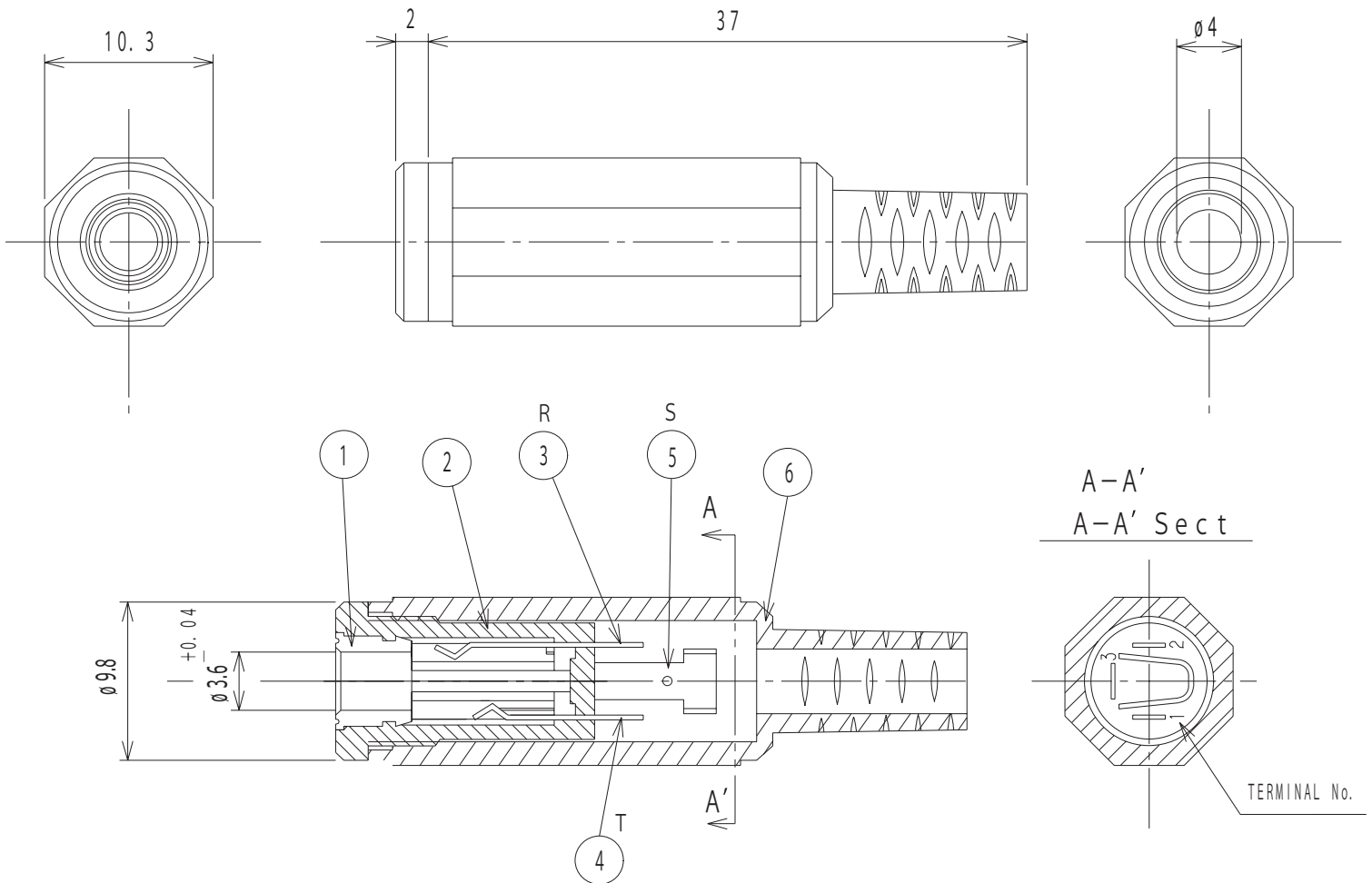
SOLDERABILITY

parameter	conditions/description	min	typ	max	units
hand soldering	for 2 seconds max		360		°C

MECHANICAL DRAWING

units: mm
tolerance: ±0.3 mm

	MATERIAL	PLATING
(1) sleeve	brass	nickel
(2) housing	PA	
(3) terminal 2	phosphor bronze	nickel
(4) terminal 1	phosphor bronze	nickel
(5) terminal 3	brass	nickel
(6) cap	PE	



Model No.	SR-3501
Schematic	
PIN	
1	tip
2	ring
3	sleeve

REVISION HISTORY

rev.	description	date
1.0	initial release	07/17/2006
1.02	pin schematic added	12/05/2006
1.03	added pin designations	09/02/2008
1.04	design improvement of body and tip	05/15/2015
1.05	brand update	10/18/2019
1.06	logo, datasheet style update	01/25/2023
1.07	CUI Devices rebranded to Same Sky	09/12/2024

The revision history provided is for informational purposes only and is believed to be accurate.



Same Sky offers a one (1) year limited warranty. Complete warranty information is listed on our website.

Same Sky reserves the right to make changes to the product at any time without notice. Information provided by Same Sky is believed to be accurate and reliable. However, no responsibility is assumed by Same Sky for its use, nor for any infringements of patents or other rights of third parties which may result from its use.

Same Sky products are not authorized or warranted for use as critical components in equipment that requires an extremely high level of reliability. A critical component is any component of a life support device or system whose failure to perform can be reasonably expected to cause the failure of the life support device or system, or to affect its safety or effectiveness.

[sameskydevices.com](https://www.sameskydevices.com)