



**SERIES:** TS34 | **DESCRIPTION:** TACTILE SWITCH

**FEATURES**

- surface mount
- halogen & halogen free



**SPECIFICATIONS**

parameter	conditions/description	min	typ	max	units
rated voltage		1		12	Vdc
rated current		0.01		50	mA
withstanding voltage	for 1 minute		250		Vac
contact resistance				100	mΩ
insulation resistance	at 100 Vdc	100			MΩ
operating force	100 gf models	50	100	150	gf
	160 gf models	110	160	210	gf
	260 gf models	190	260	330	gf
return force	100 gf models	10			gf
	160 & 260 gf models	50			gf
actuator travel		0.15	0.25	0.45	mm
operating temperature		-40		90	°C
storage temperature		-40		90	°C
life	at 5 Vdc, 5 mA, 2 cycles/second, 1.5 times operating force		100,000		cycles
vibration	10~55~10 Hz, 1.5 mm amplitude, 2 hours on each XYZ				
flammability rating	see material table				
RoHS	yes				

**PART NUMBER KEY**

**TS34 - 62 - XX - BK - X - XXX - X - SMT - TR**

Base Number

Actuator Height (mm):  
 2 = 2.0  
 25 = 2.5  
 31 = 3.1  
 35 = 3.5

Ground:  
 'blank' = without ground  
 G = with ground

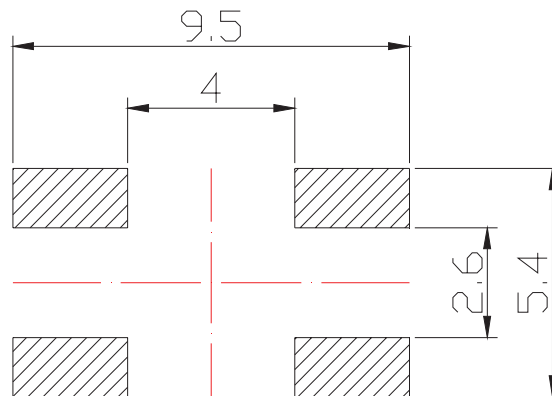
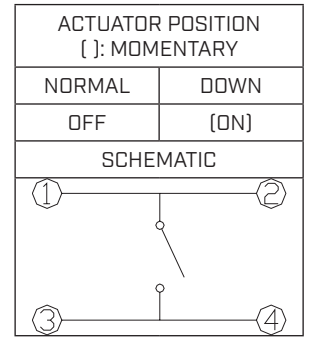
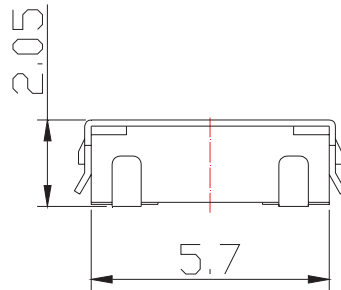
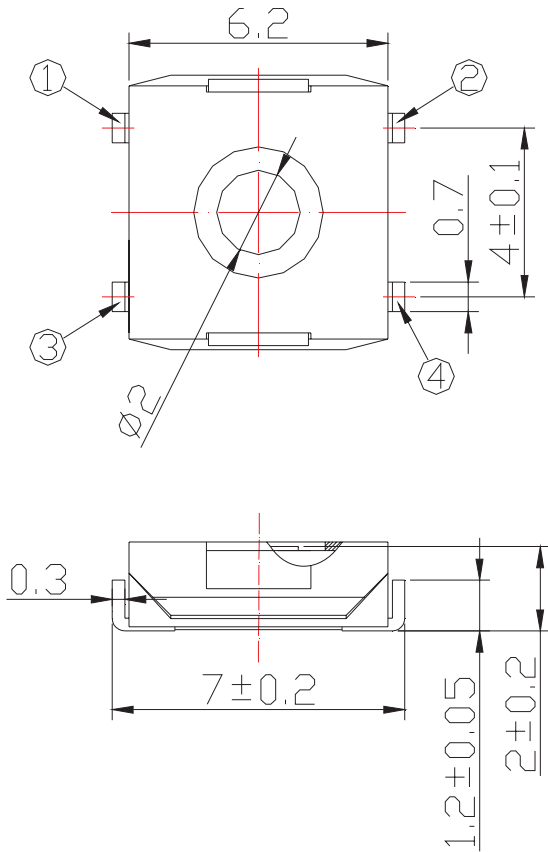
Actuator Force (gf):  
 100 = 100  
 160 = 160  
 260 = 260

Halogen Free:  
 'blank' = with halogen  
 H = halogen free

## MECHANICAL DRAWING (2.0 MM HEIGHT, NO GROUND)

units: mm  
 tolerance:  
 $L \leq 10$ :  $\pm 0.3$  mm  
 $10 < L \leq 100$ :  $\pm 0.5$  mm  
 unless otherwise specified

DESCRIPTION	MATERIAL	PLATING/COLOR
terminal	brass	silver
housing	PA6T (halogen models) PPA (halogen free models)	black black
dome	stainless steel	silver
stem	FR52 (halogen models) PPA (halogen free models)	black black
cover	stainless steel	

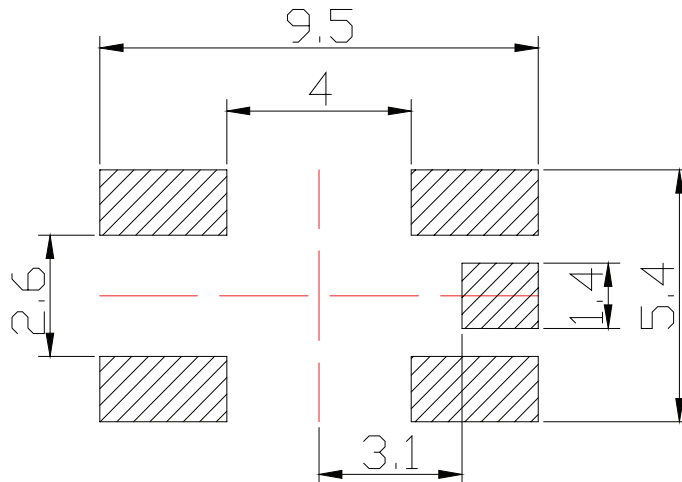
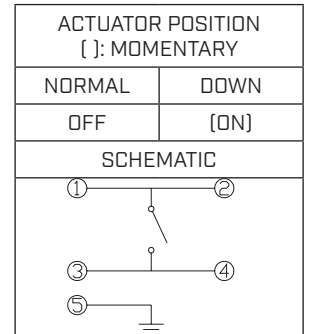
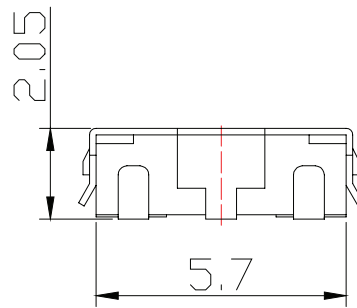
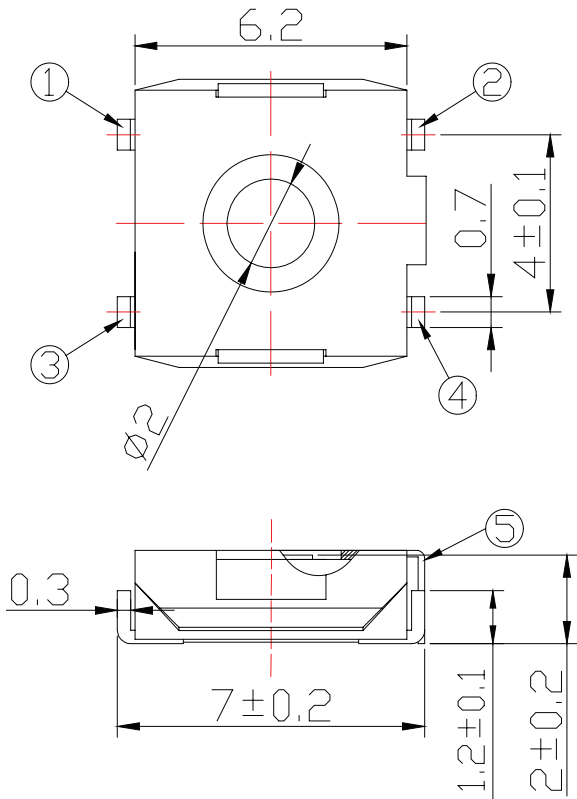


Recommended PCB Layout  
Top View

## MECHANICAL DRAWING (2.0 MM HEIGHT, WITH GROUND)

units: mm  
 tolerance:  
 L≤10: ±0.3 mm  
 10<L≤100: ±0.5 mm  
 unless otherwise specified

DESCRIPTION	MATERIAL	PLATING/COLOR
terminal	brass	silver
housing	PA6T (halogen models) PPA (halogen free models)	black black
dome	stainless steel	silver
stem	FR52 (halogen models) PPA (halogen free models)	black black
cover	phosphor bronze	tin

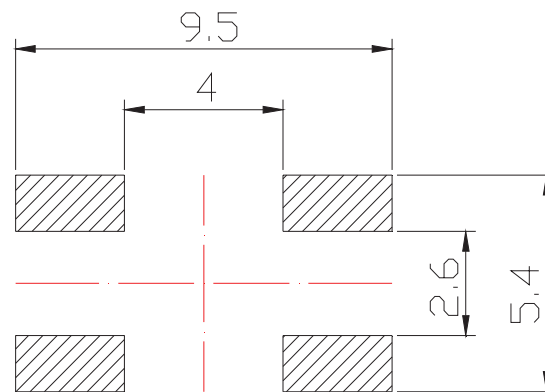
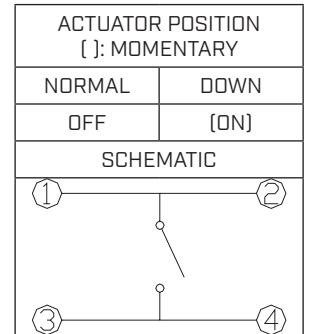
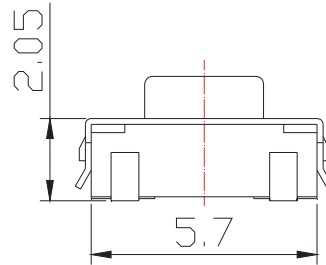
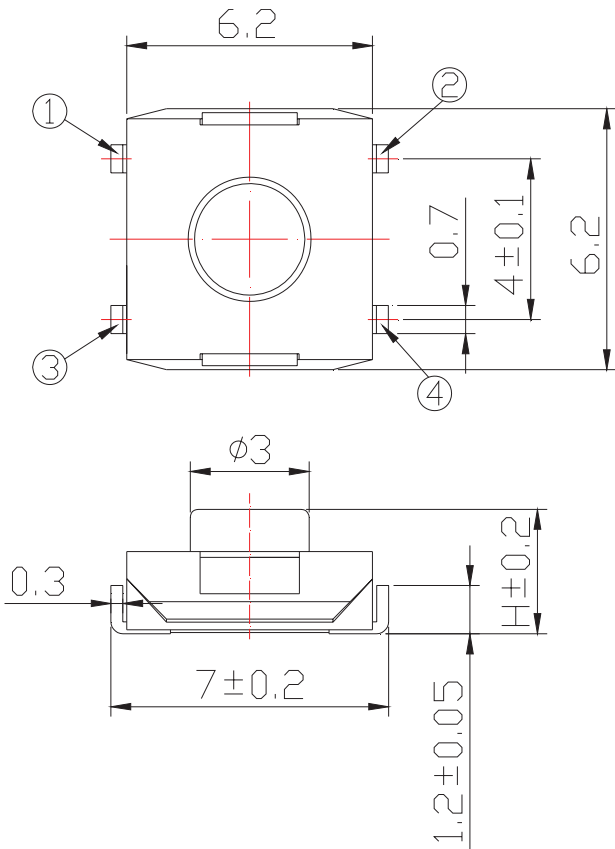


Recommended PCB Layout  
 Top View

## MECHANICAL DRAWING (2.5, 3.1, 3.5 MM HEIGHTS, NO GROUND)

units: mm  
 tolerance:  
 $L \leq 10$ :  $\pm 0.3$  mm  
 $10 < L \leq 100$ :  $\pm 0.5$  mm  
 unless otherwise specified

DESCRIPTION	MATERIAL	PLATING/COLOR
terminal	brass	silver
housing	PA6T (halogen models) PPA (halogen free models)	black
dome	stainless steel	silver
stem	FR52 (halogen models) PPA (halogen free models)	black
cover	stainless steel	



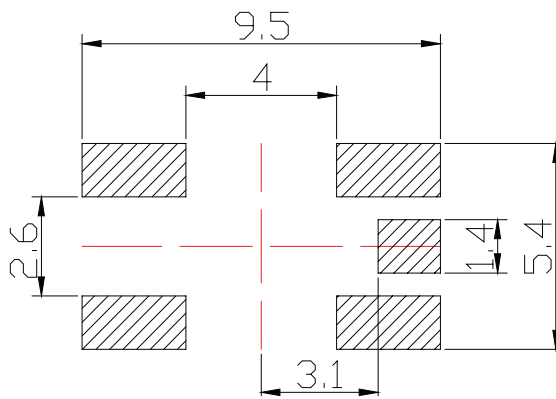
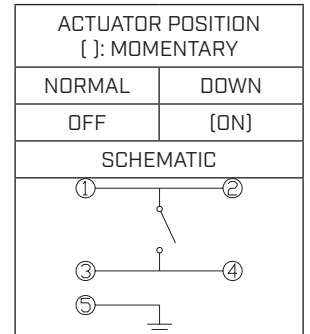
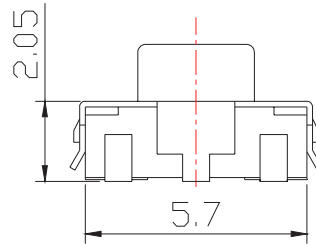
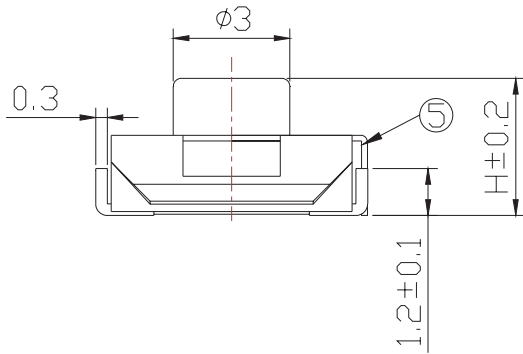
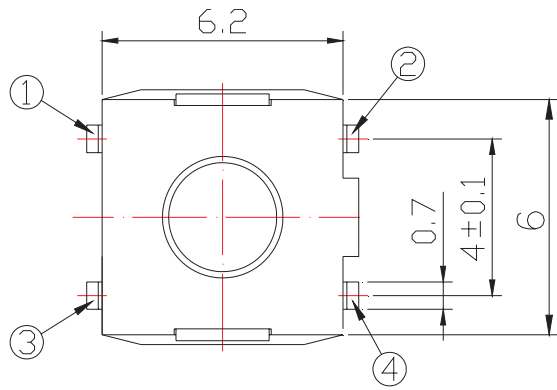
Recommended PCB Layout  
Top View

Model	Actuator Height, H (mm)
25	2.5 mm
31	3.1 mm
35	3.5 mm

## MECHANICAL DRAWING (2.5, 3.1, 3.5 MM HEIGHTS, WITH GROUND)

units: mm  
 tolerance:  
 L ≤ 10: ±0.3 mm  
 10 < L ≤ 100: ±0.5 mm  
 unless otherwise specified

DESCRIPTION	MATERIAL	PLATING/COLOR
terminal	brass	silver
housing	PA6T (halogen models) PPA (halogen free models)	black black
dome	stainless steel	silver
stem	FR52 (halogen models) PPA (halogen free models)	black black
cover	phosphor bronze	tin

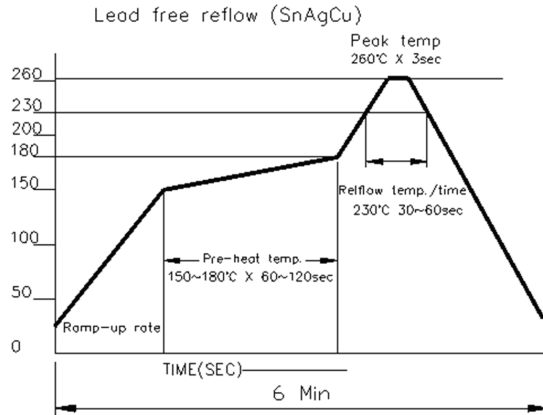


Recommended PCB Layout  
Top View

Model	Actuator Height, H (mm)
25	2.5 mm
31	3.1 mm
35	3.5 mm

## SOLDERABILITY

parameter	conditions/description	min	typ	max	units
reflow soldering			260		°C

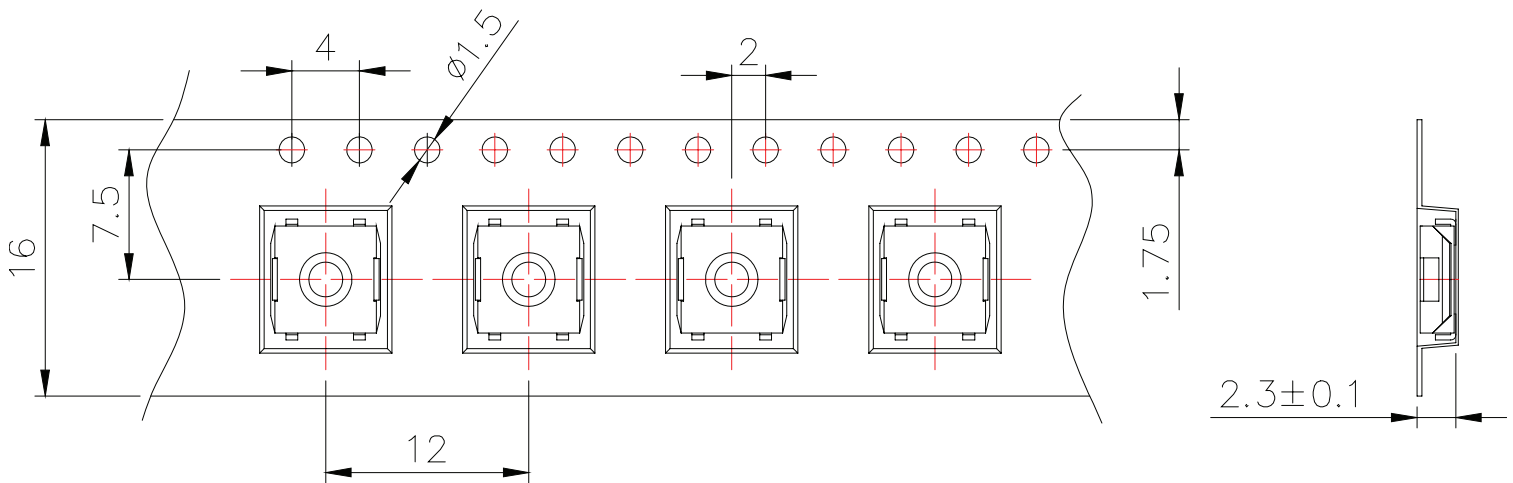


## PACKAGING

units: mm

Reel QTY: 2,500 pcs

### 2 mm height models



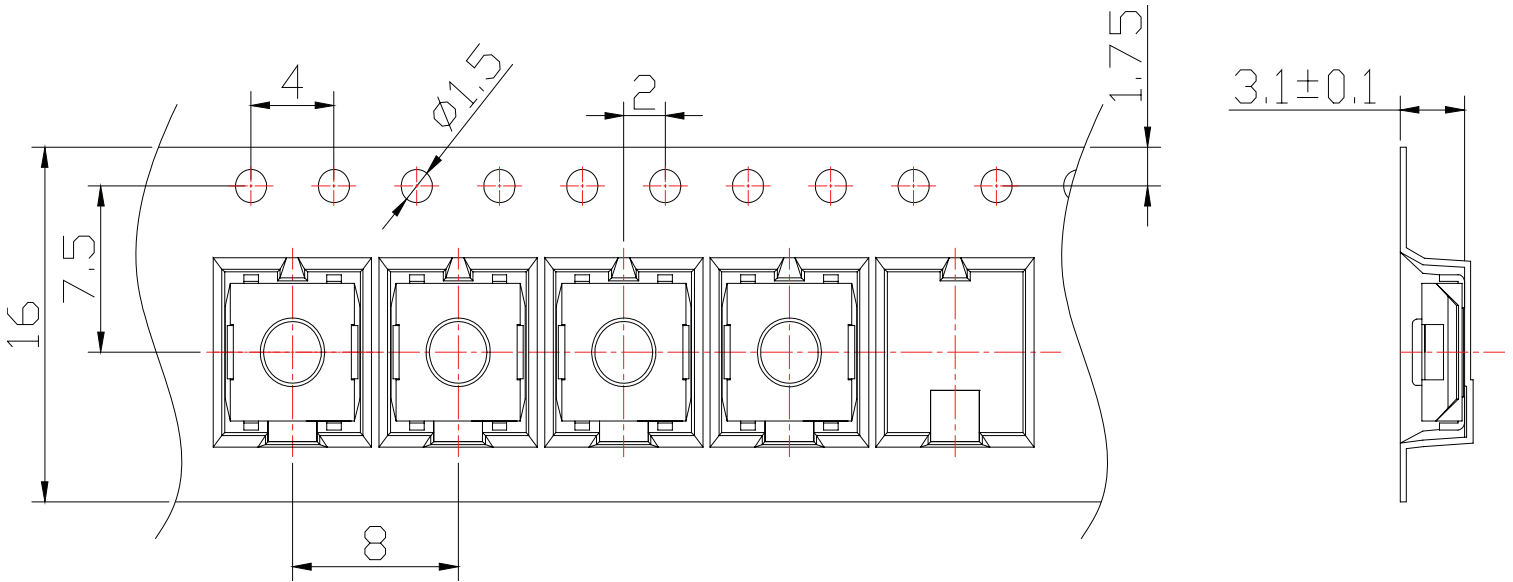
Puling-out direction the tape

## PACKAGING (CONTINUED)

units: mm

Reel QTY: 2,500 pcs

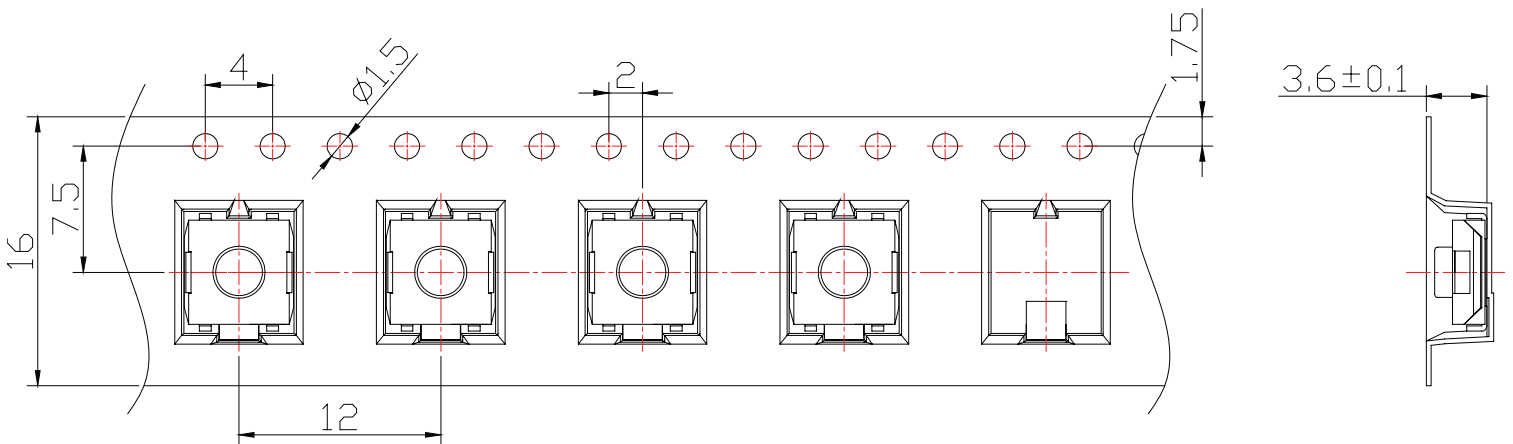
### 2.5 mm height models



units: mm

Reel QTY: 1,500 pcs

### 3.1 mm and 3.5 mm height models



## REVISION HISTORY

rev.	description	date
1.0	initial release	12/10/2024

The revision history provided is for informational purposes only and is believed to be accurate.



Same Sky offers a one (1) year limited warranty. Complete warranty information is listed on our website.

Same Sky reserves the right to make changes to the product at any time without notice. Information provided by Same Sky is believed to be accurate and reliable. However, no responsibility is assumed by Same Sky for its use, nor for any infringements of patents or other rights of third parties which may result from its use.

Same Sky products are not authorized or warranted for use as critical components in equipment that requires an extremely high level of reliability. A critical component is any component of a life support device or system whose failure to perform can be reasonably expected to cause the failure of the life support device or system, or to affect its safety or effectiveness.

[sameskydevices.com](https://www.sameskydevices.com)