



SERIES: TS36 | **DESCRIPTION:** TACTILE SWITCH

FEATURES

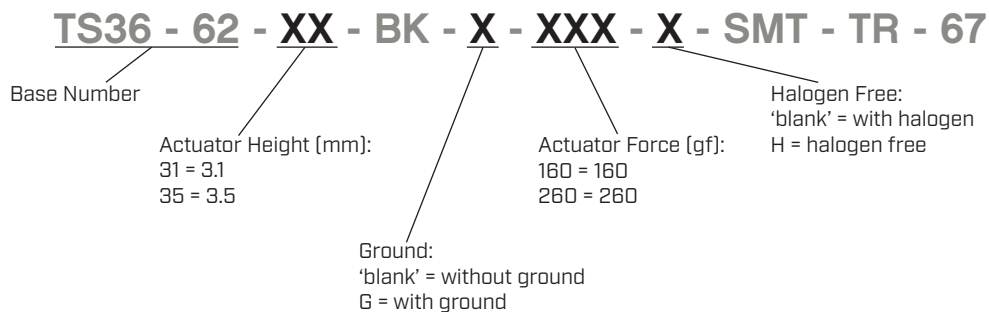
- surface mount
- IP67
- halogen & halogen free



SPECIFICATIONS

| parameter | conditions/description | min | typ | max | units |
|-----------------------|--|------|---------|------|--------|
| rated voltage | | 1 | | 12 | Vdc |
| rated current | | 0.01 | | 50 | mA |
| withstanding voltage | for 1 minute | | 250 | | Vac |
| contact resistance | | | | 100 | mΩ |
| insulation resistance | at 250 Vdc | 100 | | | MΩ |
| operating force | 160 gf models | 110 | 160 | 210 | gf |
| | 260 gf models | 190 | 260 | 330 | gf |
| return force | | 50 | | | gf |
| actuator travel | | 0.15 | 0.25 | 0.45 | mm |
| operating temperature | | -40 | | 90 | °C |
| storage temperature | | -40 | | 90 | °C |
| life | at 5 Vdc, 5 mA, 2 cycles/second, 1.5 times operating force | | 100,000 | | cycles |
| vibration | 10-55-10 Hz, 1.5 mm amplitude, 2 hours on each XYZ | | | | |
| flammability rating | see material table | | | | |
| RoHS | yes | | | | |
| IP level | IP67 | | | | |

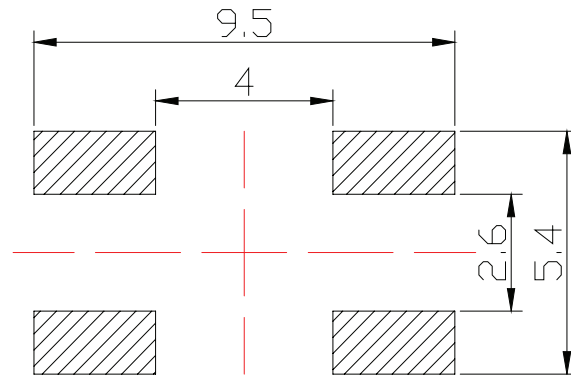
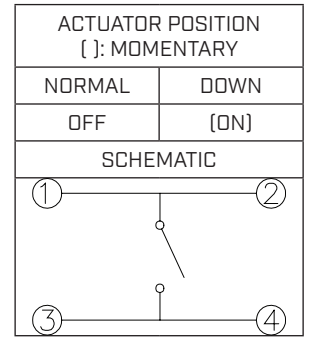
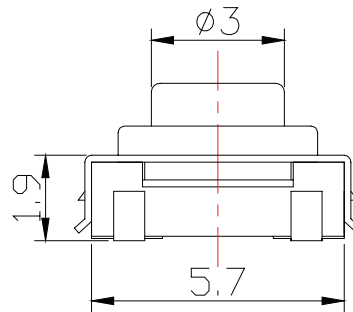
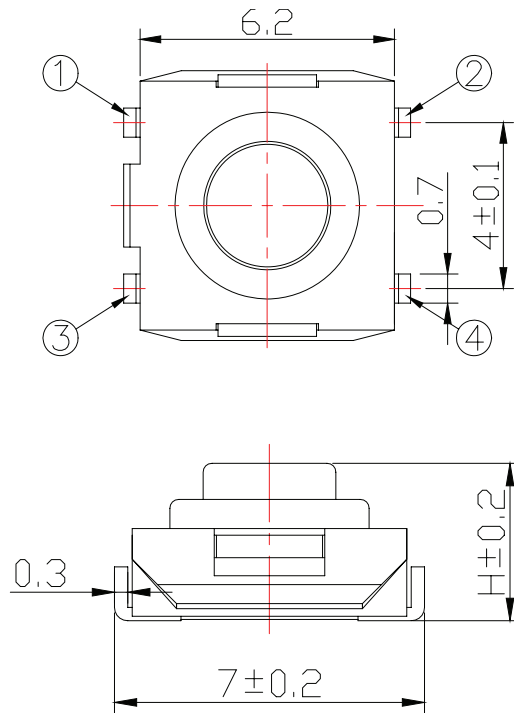
PART NUMBER KEY



MECHANICAL DRAWING (WITHOUT GROUND)

units: mm
 tolerance:
 L ≤ 10: ±0.3
 10 < L ≤ 100: ±0.5
 100 < L: ±0.6
 unless otherwise specified

| DESCRIPTION | MATERIAL | PLATING/COLOR |
|----------------|--|---------------|
| terminal | brass | silver |
| housing | PA6T (halogen models) PPA (halogen free models) | black |
| dome | stainless steel | silver |
| stem | FR52 (halogen models) PPA (halogen free models) | black |
| waterproof mat | rubber | |
| cover | stainless steel | |



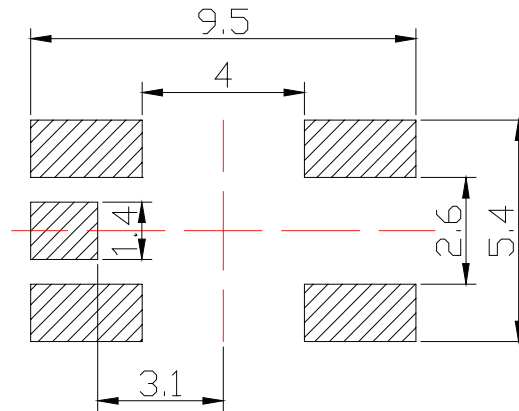
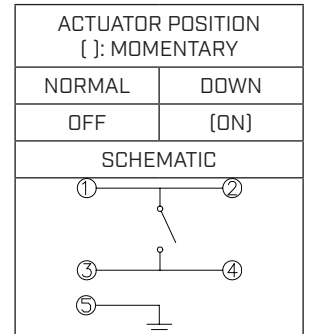
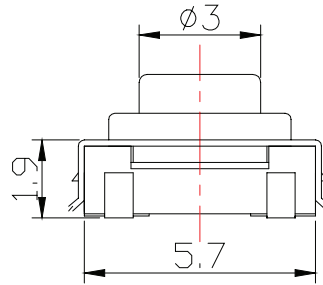
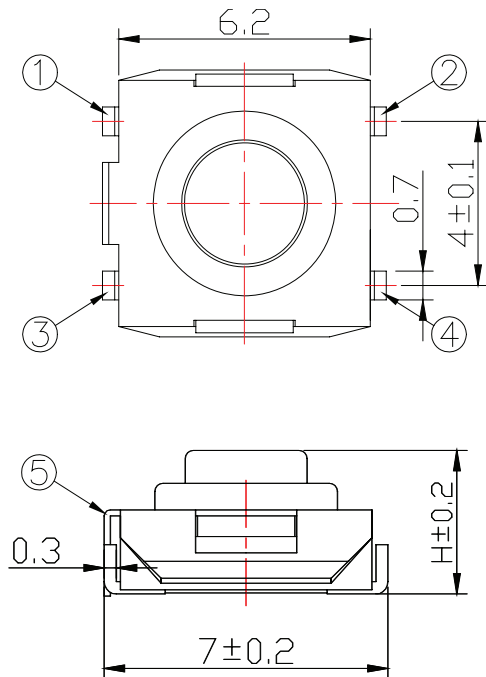
Recommended PCB Layout
Top View

| Model | Actuator Height, H (mm) |
|-------|-------------------------|
| 31 | 3.1 mm |
| 35 | 3.5 mm |

MECHANICAL DRAWING (WITH GROUND)

units: mm
 tolerance:
 $L \leq 10$: ± 0.3
 $10 < L \leq 100$: ± 0.5
 $100 < L$: ± 0.6
 unless otherwise specified

| DESCRIPTION | MATERIAL | PLATING/COLOR |
|----------------|--|---------------|
| terminal | brass | silver |
| housing | PA6T (halogen models) PPA (halogen free models) | black |
| dome | stainless steel | silver |
| stem | FR52 (halogen models) PPA (halogen free models) | black |
| waterproof mat | rubber | |
| cover | stainless steel | |

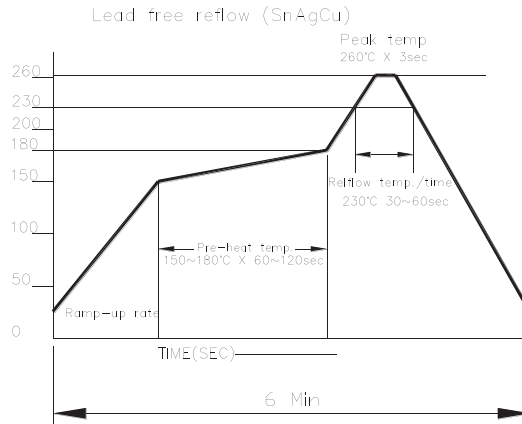


Recommended PCB Layout
Top View

| Model | Actuator Height, H (mm) |
|-------|-------------------------|
| 31 | 3.1 mm |
| 35 | 3.5 mm |

SOLDERABILITY

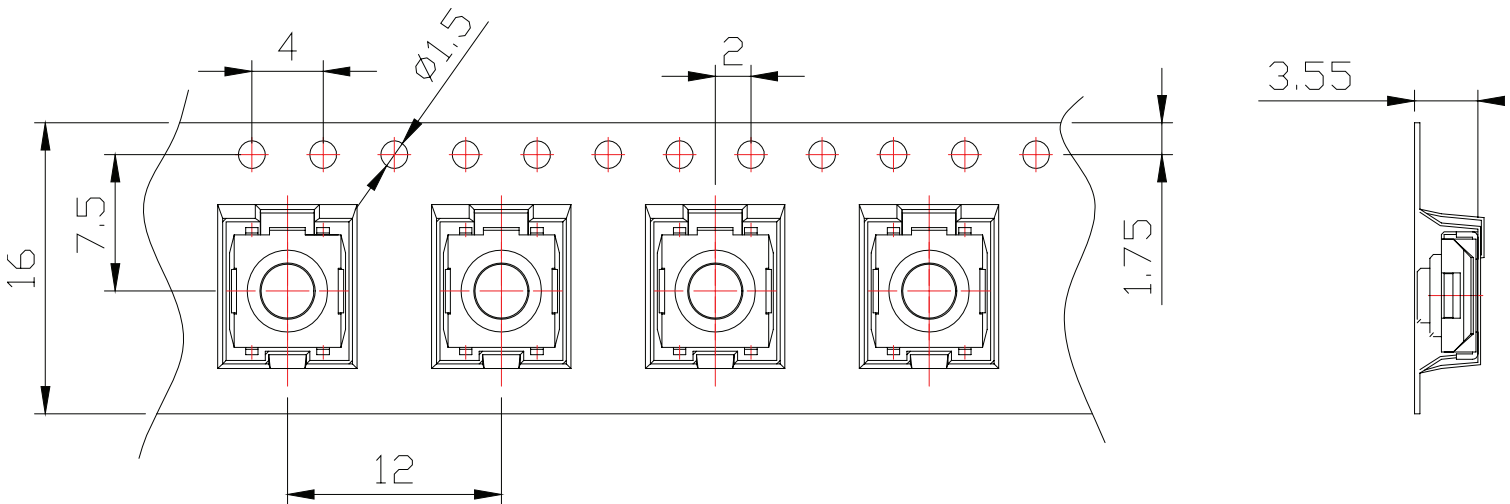
| parameter | conditions/description | min | typ | max | units |
|------------------|------------------------|-----|-----|-----|-------|
| reflow soldering | | | 260 | | °C |



PACKAGING

units: mm

Reel QTY: 1,500 pcs



Pulling-out direction the tape

REVISION HISTORY

| rev. | description | date |
|------|-----------------|------------|
| 1.0 | initial release | 12/09/2024 |

The revision history provided is for informational purposes only and is believed to be accurate.



Same Sky offers a one (1) year limited warranty. Complete warranty information is listed on our website.

Same Sky reserves the right to make changes to the product at any time without notice. Information provided by Same Sky is believed to be accurate and reliable. However, no responsibility is assumed by Same Sky for its use, nor for any infringements of patents or other rights of third parties which may result from its use.

Same Sky products are not authorized or warranted for use as critical components in equipment that requires an extremely high level of reliability. A critical component is any component of a life support device or system whose failure to perform can be reasonably expected to cause the failure of the life support device or system, or to affect its safety or effectiveness.

[sameskydevices.com](https://www.sameskydevices.com)