



**MODEL:** UJ32-C-H-G-SMT-4-P24-TR-68 | **DESCRIPTION:** USB RECEPTACLE

**FEATURES**

- USB Type C receptacle
- USB 3.2 Gen 1
- 5 Gbits/s data transfer speed
- IPX8
- tape & reel packaging



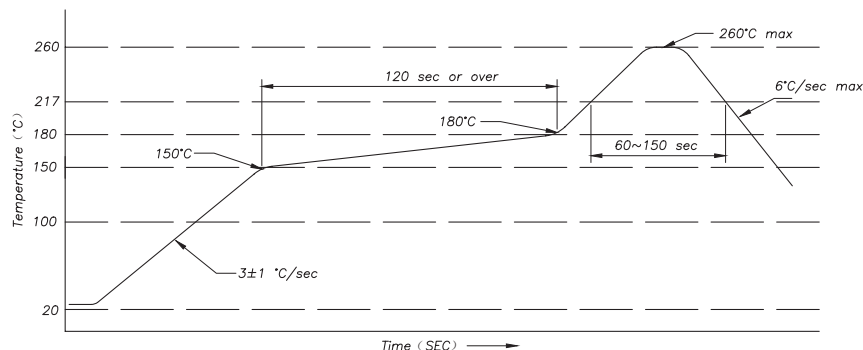
**SPECIFICATIONS**

parameter	conditions/description	min	typ	max	units
USB standard	USB 3.2 Gen 1				
rated input voltage				48	Vdc
rated input current	as per EIA-364-70, Method B power pins collectively [A1, A4, A9, A12, B1, B4, B9, B12] VCONN pins individually [B5] all other signal pins individually			5.0 1.25 0.25	A A A
contact resistance <sup>1</sup>	between terminals and mating plug			40	mΩ
insulation resistance	at 100 Vdc between adjacent contacts	100			MΩ
voltage withstand	between adjacent contacts for 1 minute	100			Vac
insertion force	at a rate of 30 cycles/min	5		20	N
withdrawal force	at a rate of 30 cycles/min	8		20	N
life	at a rate of 500 cycles per hour		10,000		cycles
operating temperature		-40		85	°C
flammability rating	UL94V-0				
RoHS	yes				
IP level	IPX8				

Note: 1. When measured at 20 mV / 100 mA.

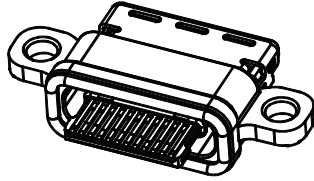
**SOLDERABILITY**

parameter	conditions/description	min	typ	max	units
reel storage	at 20~30°C, 40~75% humidity				
reflow soldering	see reflow profile			260	°C

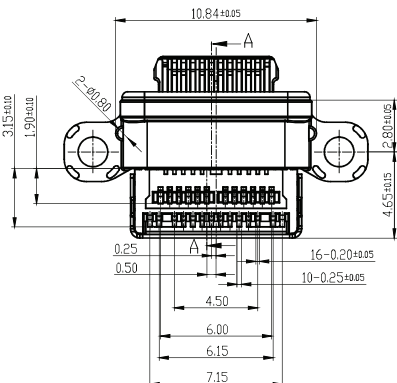
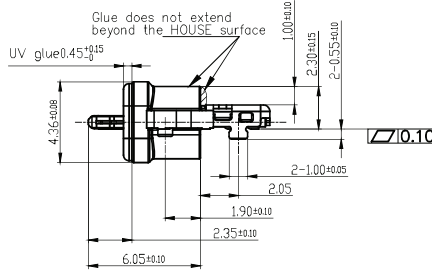
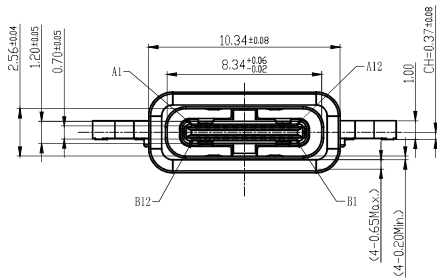
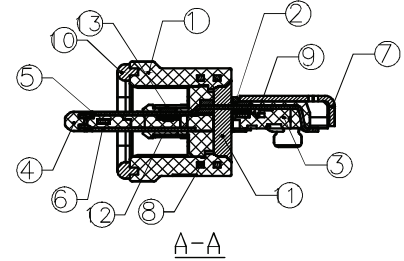
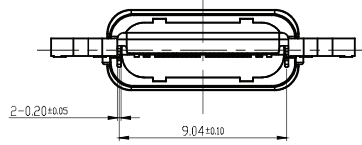
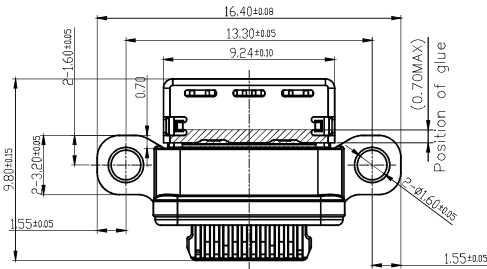


## MECHANICAL DRAWING

units: mm  
 tolerance:  
 X.X ±0.30 mm  
 X.XX ±0.20 mm  
 X.XXX ±0.10 mm  
 unless otherwise specified



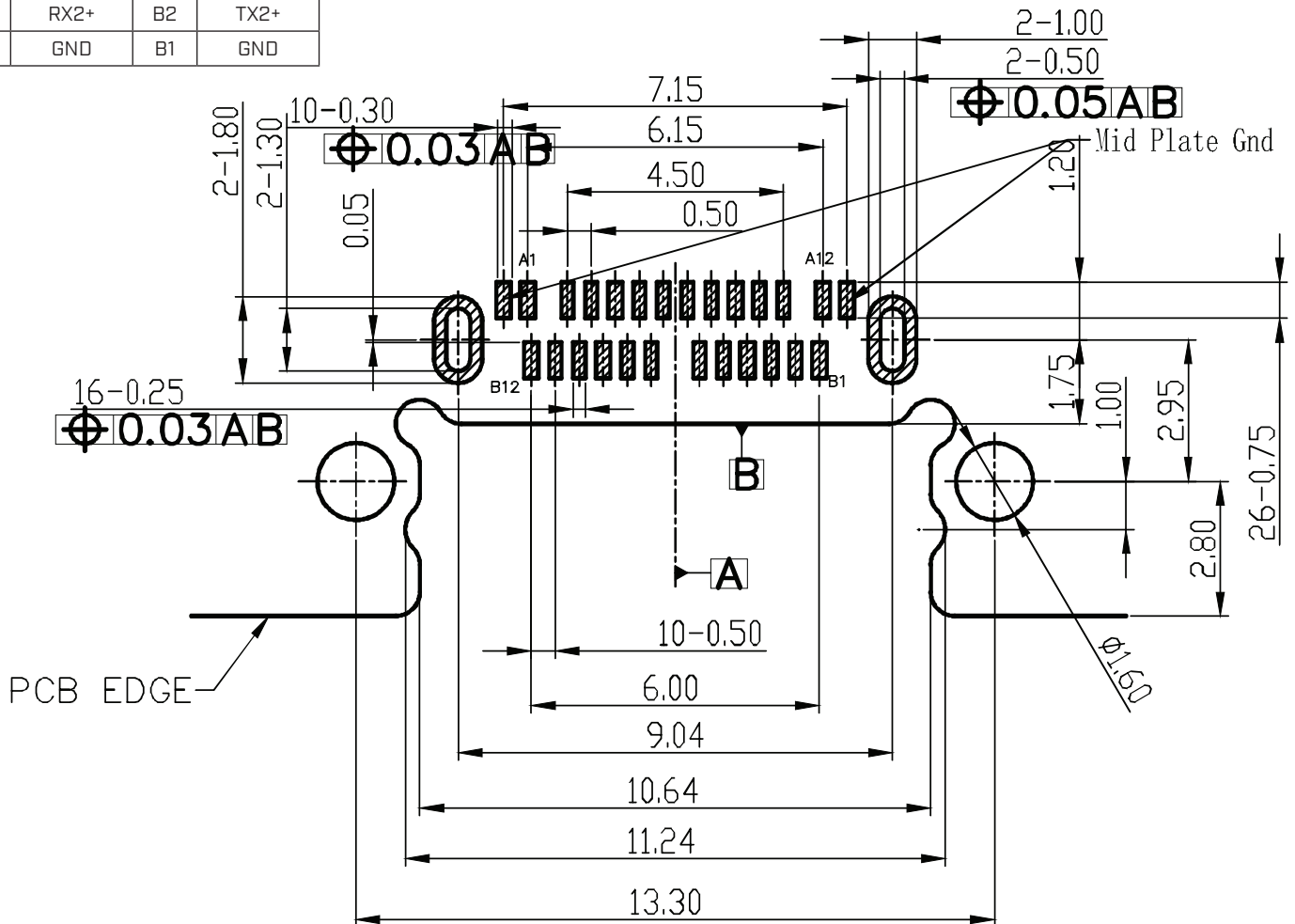
ITEM	DESCRIPTION	MATERIAL	PLATING/COLOR
1	HSG IM shell	PA10T [UL94V-0]	black
2	first mold	PA46 [UL94V-0]	black
3	second mold	PA46 [UL94V-0]	black
4	third mold	PA46 [UL94V-0]	black
5/6	contact	C18400 t=0.12 mm	contact area: 0.76 μm gold over 1.25 μm nickel solder area: 0.76 μm gold over 1.25 μm nickel
7	sub shell	SUS316L t=0.20	1.25 μm nickel
8	IM shell	SUS304-H t=0.20	clean
9	ground plate	SUS304-H t=0.15	solder area: 1.25 μm nickel
10	o-ring	UV glue	
11	glue	epoxy	black
12	EMI terminal 1	SUS304-1/2H t=0.10	clean
13	EMI terminal 2	SUS304-1/2H t=0.10	clean



## MECHANICAL DRAWING (CONTINUED)

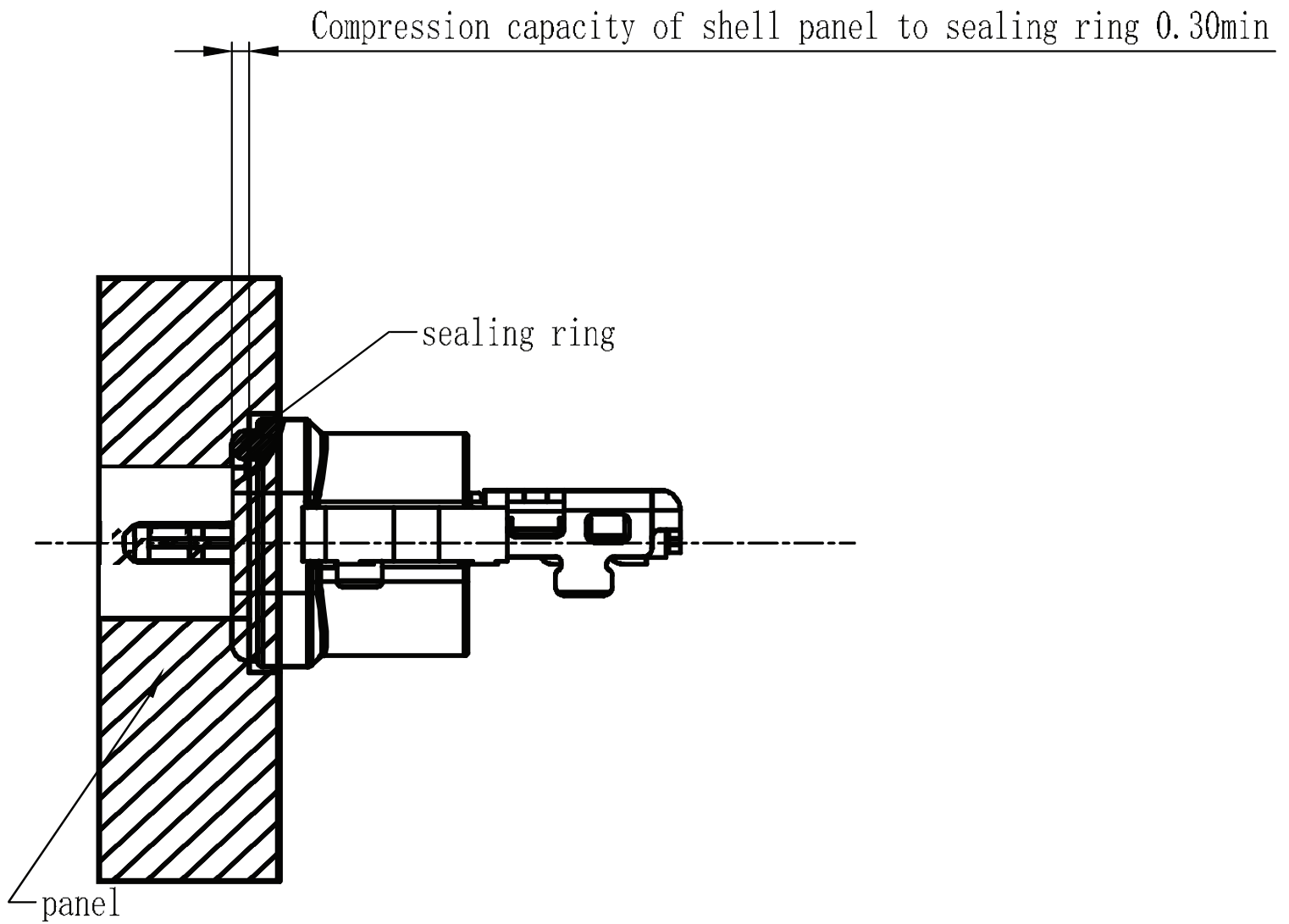
units: mm  
 PCB tolerance:  $\pm 0.05$  mm  
 PCB thickness: 0.70 mm

PIN CONNECTIONS			
PIN	SIGNAL NAME	PIN	SIGNAL NAME
A1	GND	B12	GND
A2	TX1+	B11	RX1+
A3	TX1-	B10	RX1-
A4	VBUS	B9	VBUS
A5	CC1	B8	SBU2
A6	D+	B7	D-
A7	D-	B6	D+
A8	SBU1	B5	CC2
A9	VBUS	B4	VBUS
A10	RX2-	B3	TX2-
A11	RX2+	B2	TX2+
A12	GND	B1	GND



Recommended PCB Layout  
 Top View

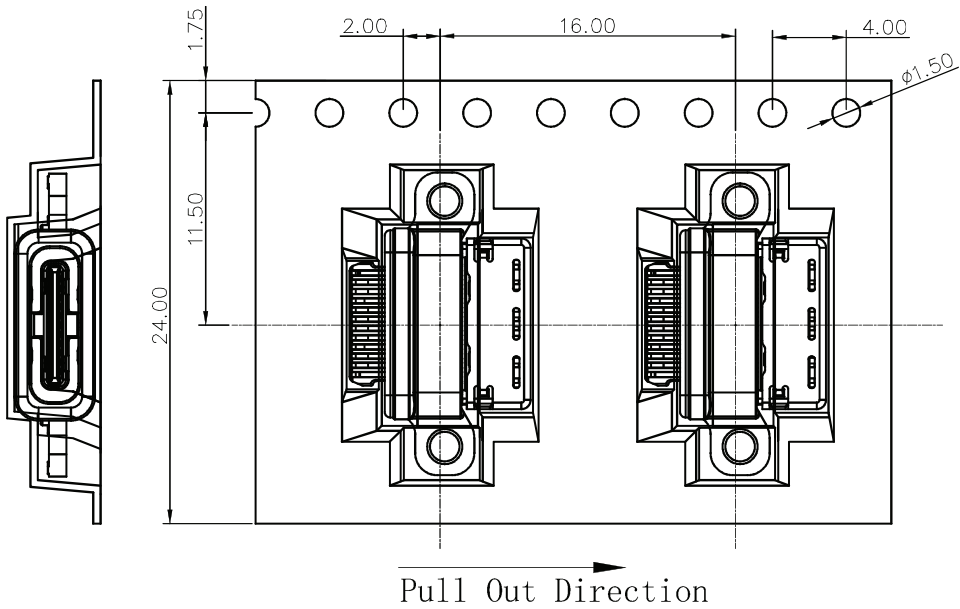
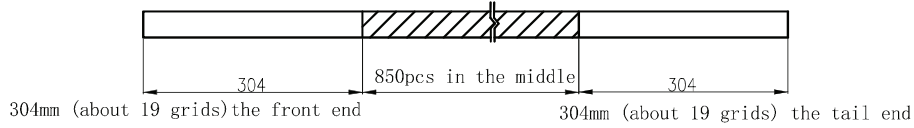
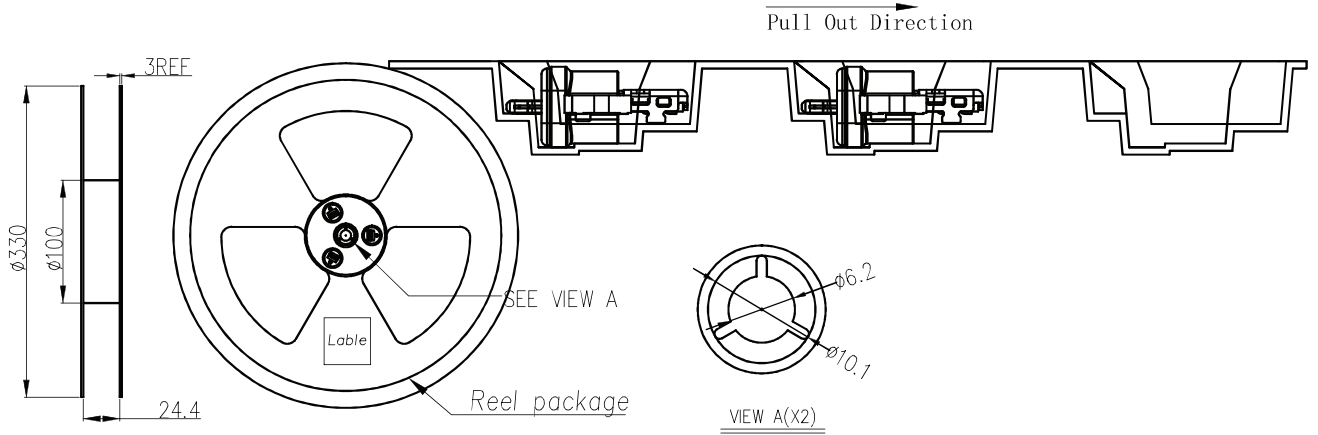
## ASSEMBLY REFERENCE



## PACKAGING

units: mm

Reel Size:  $\varnothing 330$   
 Reel QTY: 850 pcs per reel  
 Carton Size: 350 x 350 x 325 mm  
 Carton QTY: 8,500 pcs



## REVISION HISTORY

rev.	description	date
1.0	initial release	08/01/2024
1.01	CUI Devices rebranded to Same Sky	09/12/2024

The revision history provided is for informational purposes only and is believed to be accurate.



Same Sky offers a one (1) year limited warranty. Complete warranty information is listed on our website.

Same Sky reserves the right to make changes to the product at any time without notice. Information provided by Same Sky is believed to be accurate and reliable. However, no responsibility is assumed by Same Sky for its use, nor for any infringements of patents or other rights of third parties which may result from its use.

Same Sky products are not authorized or warranted for use as critical components in equipment that requires an extremely high level of reliability. A critical component is any component of a life support device or system whose failure to perform can be reasonably expected to cause the failure of the life support device or system, or to affect its safety or effectiveness.

[sameskydevices.com](https://www.sameskydevices.com)