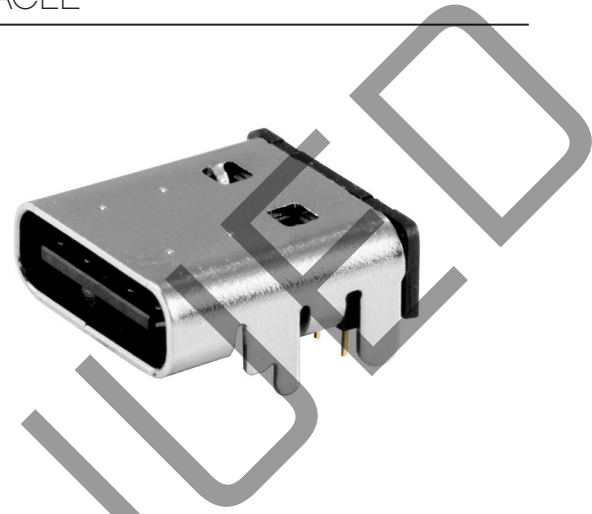




**MODEL:** UJC-HP-G-SMT-TR | **DESCRIPTION:** USB RECEPTACLE

**FEATURES**

- USB Type C receptacle
- mates with standard USB Type C plugs
- designed for power only applications
- 8-pin
- reflow solder compatible
- tape & reel packaging



**SPECIFICATIONS**

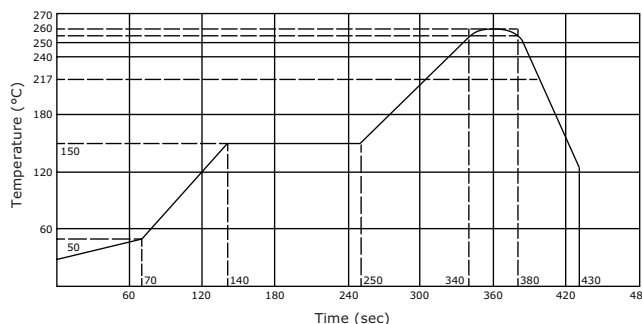
parameter	conditions/description	min	typ	max	units
rated input voltage				20	Vdc
rated input current	as per EIA-364-70, Method B VBUS pins collectively [A4, A9, B4, B9] GND pins individually [A1, A12, B1, B12]			5 1.25	A A
contact resistance <sup>1</sup>				40	mΩ
insulation resistance	at 500 Vdc for 1 minute between adjacent contacts	100			MΩ
voltage withstand	for 1 minute between adjacent contacts			100	Vac
insertion force	at a rate of 12.5 mm/min	5		20	N
withdrawal force	at a rate of 12.5 mm/min	8		20	N
life	at a rate of 500 ± 50 cycles per hour		10,000		cycles
operating temperature		-25		85	°C
flammability rating	UL94V-0				
RoHS	yes				

Note: 1. When measured at 20 mV / 100 mA max.  
2. All specifications measured at 10-35°C, humidity at 45-85%, under standard atmospheric pressure, unless otherwise noted.

**SOLDERABILITY**

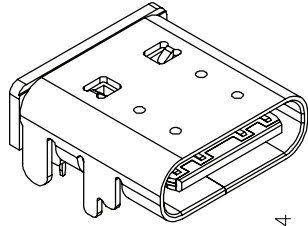
parameter	conditions/description	min	typ	max	units
reel storage	at relative humidity <80%			40	°C
reflow soldering <sup>3</sup>	see reflow profile	255	260	265	°C
drying conditions <sup>4</sup>	parts in reel: bake at 40°C ±5°C for 72 hours parts removed from reel: bake at 40°C ±5°C for 10 hours				

Note: 3. It is recommended to reflow solder within 72 hours from opening vacuum packaging at a temperature <30°C & relative humidity <60%.  
4. When exceeding floor life by >72 hours.

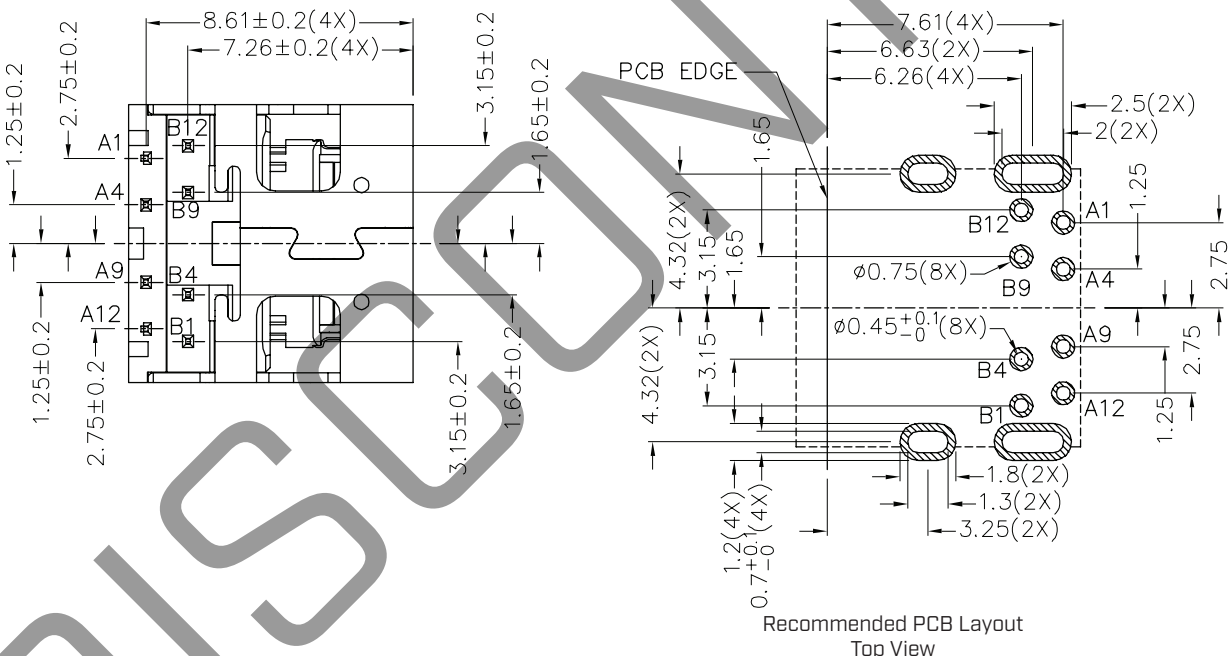
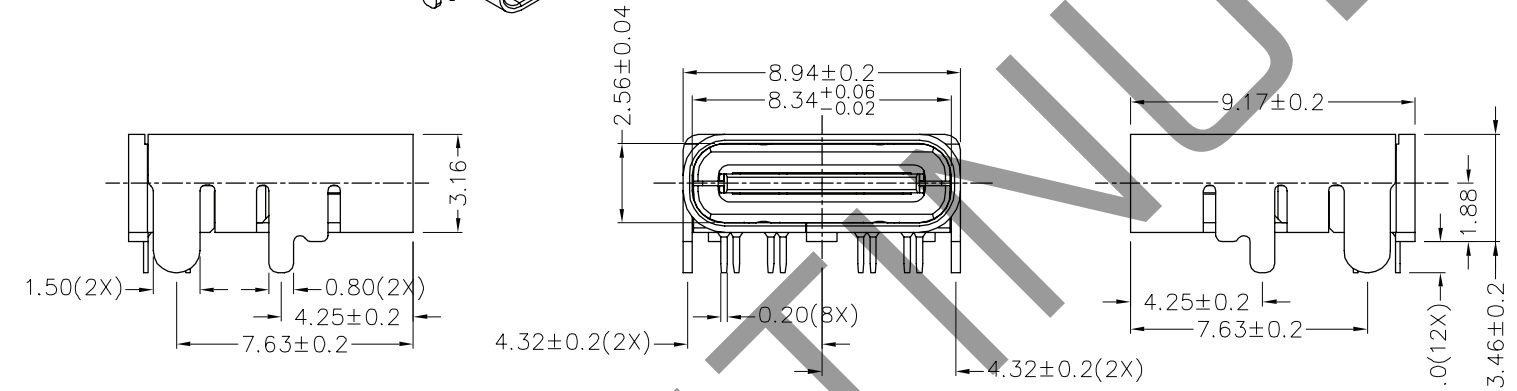


## MECHANICAL DRAWING

units: mm  
 tolerance:  
 X.X ±0.20 mm  
 X.XX ±0.10 mm  
 X.XXX ±0.05 mm  
 PCB: ±0.05 mm  
 unless otherwise specified



		MATERIAL	PLATING
1	contact	copper alloy	on all: nickel contact: gold flash solder: gold flash
2	shell	stainless steel	nickel
3	mid plate	stainless steel	nickel
4	insulator	PA10T	black

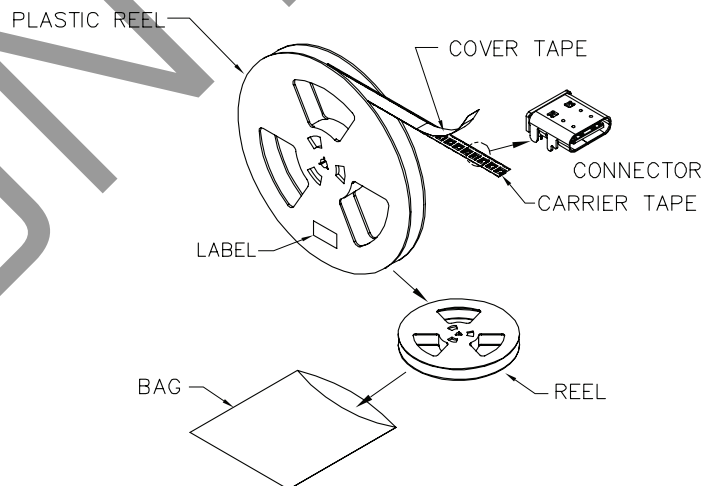
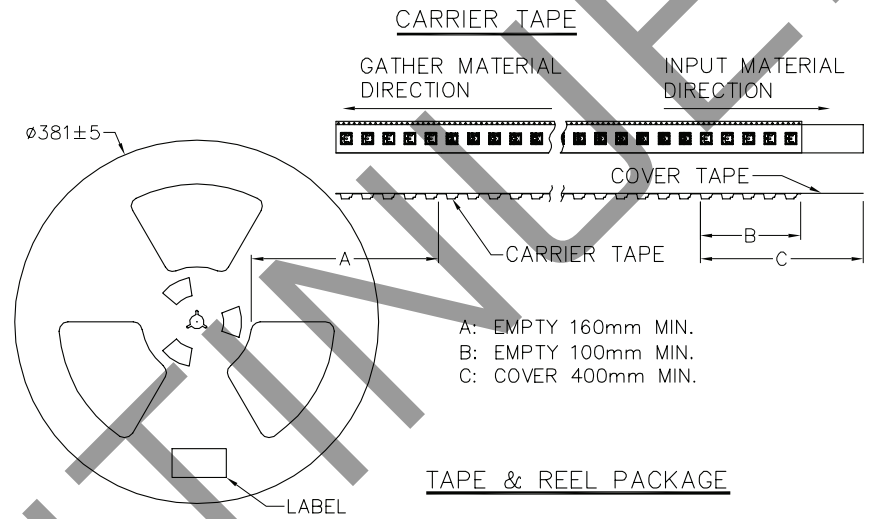
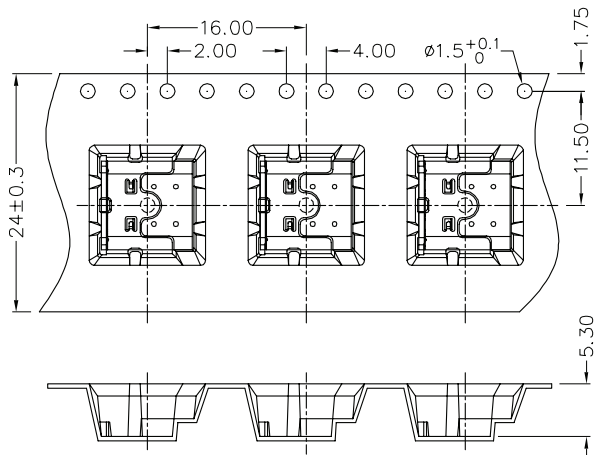


PIN NO.	A1		A4			A9		A12
	GND		Vbus			Vbus		GND
PIN NO.	B12		B9			B4		B1
	GND		Vbus			Vbus		GND

## PACKAGING

units: mm

Reel Size:  $\varnothing 381$  mm  
 Reel QTY: 1,050 pcs per reel



## REVISION HISTORY

rev.	description	date
1.0	initial release	10/05/2020
1.01	logo, datasheet style update	08/05/2022

The revision history provided is for informational purposes only and is believed to be accurate.