


**MODEL:** UP3-MIBV-4-CM | **DESCRIPTION:** USB PLUG

**FEATURES**

- USB micro B type plug
- USB 3.2 Gen 1
- cable mount

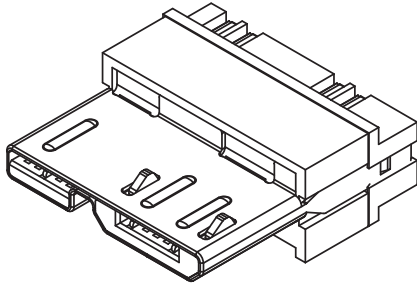

**SPECIFICATIONS**

| parameter                       | conditions/description            | min | typ    | max | units  |
|---------------------------------|-----------------------------------|-----|--------|-----|--------|
| USB standard                    | USB 3.2 Gen 1                     |     |        |     |        |
| rated input voltage             |                                   |     |        | 30  | Vac    |
| rated input current             |                                   |     |        | 1.8 | A      |
| contact resistance <sup>1</sup> | between terminals and mating plug |     |        | 30  | mΩ     |
| insulation resistance           |                                   | 100 |        |     | MΩ     |
| voltage withstand               | for 1 minute                      |     |        | 100 | Vac    |
| insertion force                 |                                   |     |        | 35  | N      |
| withdrawal force                |                                   | 10  |        |     | N      |
| operating temperature           |                                   | -55 |        | 85  | °C     |
| life                            |                                   |     | 10,000 |     | cycles |
| flammability rating             | UL94V-0                           |     |        |     |        |
| RoHS                            | yes                               |     |        |     |        |

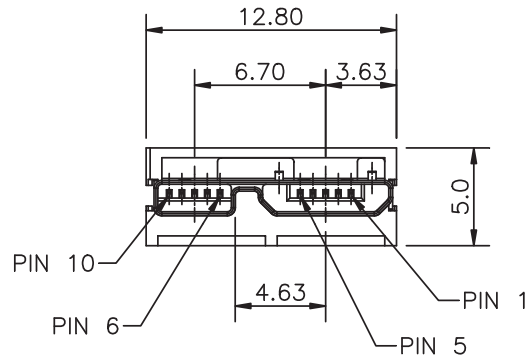
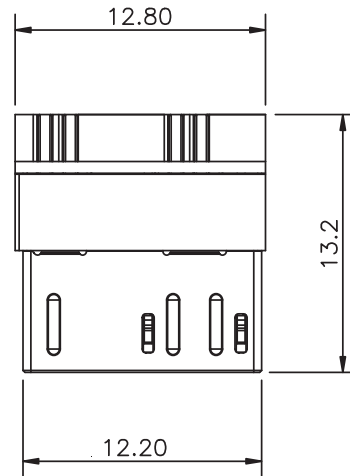
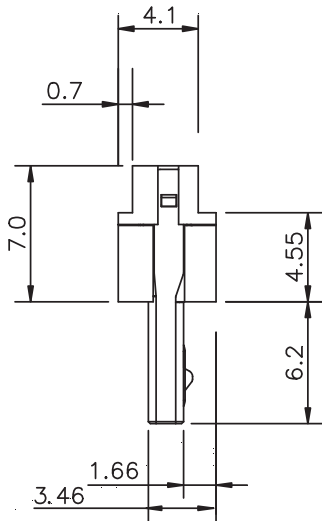
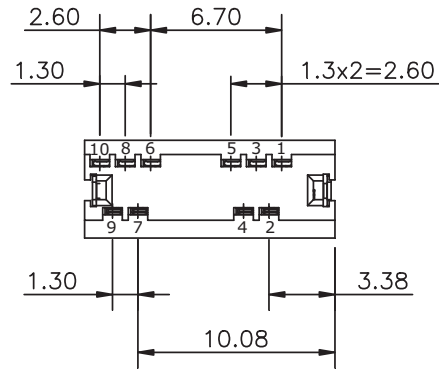
Note: 1. When measured at 20 mV / 100 mA.  
2. All specifications measured at 15-35°C, humidity at 25-85%, under atmospheric pressure of 86-106 kPa, unless otherwise noted.

## MECHANICAL DRAWING

units: mm  
 tolerance:  
 X.X ±0.38 mm  
 X.XX ±0.25 mm



|                   | MATERIAL        | PLATING  |
|-------------------|-----------------|--|
| contact terminals | phosphor bronze | contact: 30 μ" gold over nickel<br>solder: tin over nickel |
| shield            | steel           |  |
| insulator         | LCP (black)     |  |



## REVISION HISTORY

| rev. | description                       | date       |
|------|-----------------------------------|------------|
| 1.0  | initial release                   | 08/09/2016 |
| 1.01 | brand update                      | 02/07/2020 |
| 1.02 | updated USB standard              | 04/19/2022 |
| 1.03 | logo, datasheet style update      | 08/05/2022 |
| 1.04 | CUI Devices rebranded to Same Sky | 09/12/2024 |

The revision history provided is for informational purposes only and is believed to be accurate.



Same Sky offers a one (1) year limited warranty. Complete warranty information is listed on our website.

Same Sky reserves the right to make changes to the product at any time without notice. Information provided by Same Sky is believed to be accurate and reliable. However, no responsibility is assumed by Same Sky for its use, nor for any infringements of patents or other rights of third parties which may result from its use.

Same Sky products are not authorized or warranted for use as critical components in equipment that requires an extremely high level of reliability. A critical component is any component of a life support device or system whose failure to perform can be reasonably expected to cause the failure of the life support device or system, or to affect its safety or effectiveness.

[sameskydevices.com](https://www.sameskydevices.com)